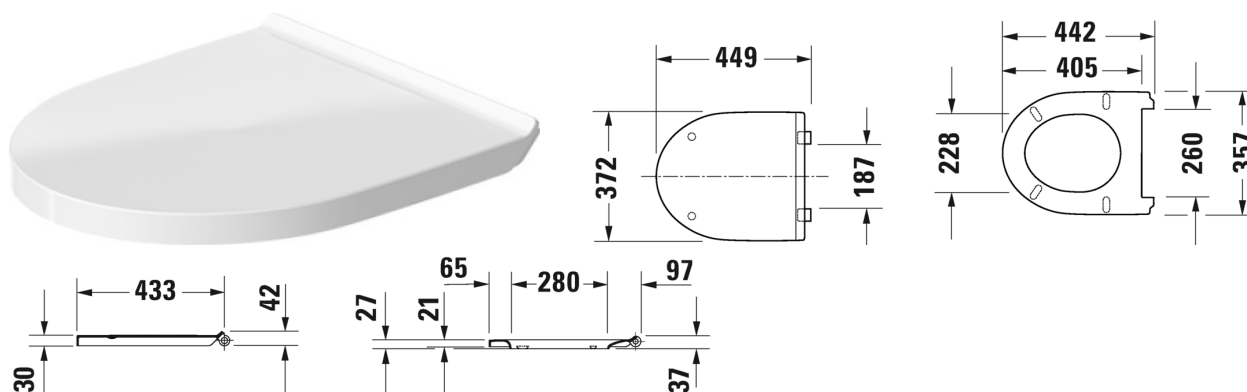


Duravit No.1 Toilet seat and cover # 0020790000



Toilet seat and cover	Dimension	Weight	Order number
hinges stainless steel, with soft closure			
Colors			
00 White Alpin			
Variant			
		2.400 kilogram	0020790000
Suitable products			
Toilet wall mounted Duravit Rimless® rimless, washdown model, UWL class 1, 365 x 540 mm	365 x 540 mm		256209
Toilet floor standing Duravit Rimless® rimless, for independent water supply, washdown model, fixings included, vertical outlet, UWL class 1, 4,5 l, 370 x 560 mm	370 x 560 mm		218401
Toilet floor standing Duravit Rimless® rimless, for independent water supply, washdown model, fixings included, horizontal outlet, UWL class 1, 4,5 l, 370 x 480 mm	370 x 480 mm		218409
Toilet close-coupled Duravit Rimless® rimless, (without cistern), washdown model, fixings included, Outlet for Vario connector set, for horizontal and vertical outlet, length adjustable from 70 - 170 mm, and vario connecting bend, vertical outlet from 160 - 230 mm, UWL class 1, 365 x 650 mm	365 x 650 mm		218209
Toilet close-coupled Duravit Rimless® (without cistern), rimless, washdown model, fixings included, horizontal outlet, UWL class 1, 4,5 l, 365 x 655 mm	365 x 655 mm		218309
Toilet close-coupled Duravit Rimless® Hong Kong - version, (without cistern), rimless, vertical outlet, washdown model, fixings included, UWL class 1, 4,5 l, 365 x 655 mm	365 x 655 mm		218301
Toilet floor standing Duravit Rimless® back to wall, rimless, washdown model, for independent water supply, fixings included, horizontal outlet, UWL class 1, 4,5 l, 370 x 570 mm	370 x 570 mm		200909

Duravit No.1 Toilet seat and cover # 0020790000

All drawings contain the necessary measurements which are subject to standard tolerances. They are stated in mm and are non-binding. Exact measurements, in particular for customised installation scenarios, can only be taken from the finished piece.