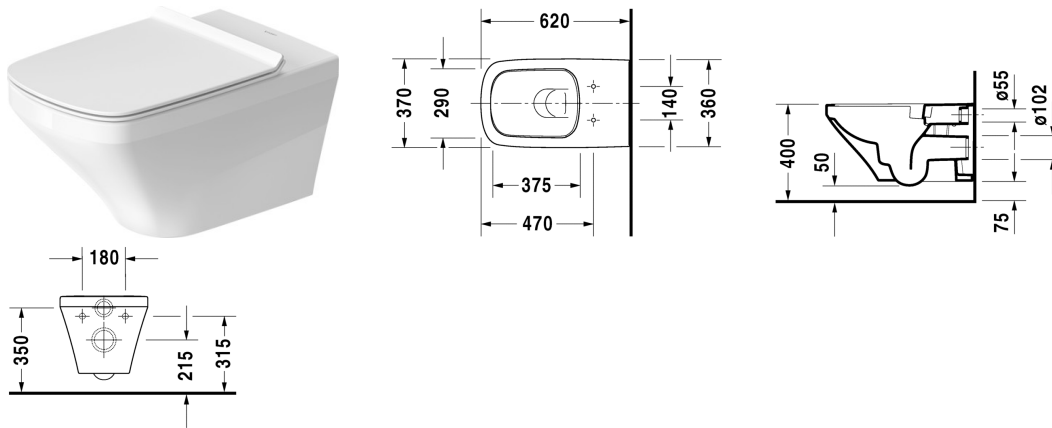


DuraStyle Toilet wall mounted Duravit Rimless® # 254209..00 / 254209..00

| < 370 mm > |



Toilet wall mounted Duravit Rimless®	Dimension	Weight	Order number
rimless, washdown model, Durafix included, UWL class 1			
Colors			
00 White Alpin 20 HygieneGlaze (an antibacterial ceramic glaze that provides almost indefinite effectiveness)			
Variant			
♣ 4,5 l	370 x 620 mm	28.300 kilogram	254209..00
♣ 4,5 l	370 x 620 mm	28.300 kilogram	254209..00
Infobox			
Durafix for invisible fixation is included in delivery			
Sanitary ceramics with the special WonderGliss surface finish will remain clean and attractive-looking for a long time to come. When ordering WonderGliss please add a "1" as eleventh digit to the model number.			
Accessory for ceramics			
Fixing for wall mounted bidet and wall mounted toilet	Ø 12 x 180 mm	0.200 kilogram	006500
Accessory			
Noise reduction gasket			Schallschutz-Set 005090
Suitable products			
Toilet seat and cover removable, elongated, hinges stainless steel, without soft closure,			006051
Toilet seat and cover removable, elongated, hinges stainless steel, with soft closure,			006059

DuraStyle Toilet wall mounted Duravit Rimless® # 254209..00 /
254209..00

|< 370 mm >|

*All drawings contain the necessary measurements which are subject to standard tolerances. They are stated in mm and are non-binding.
Exact measurements, in particular for customised installation scenarios, can only be taken from the finished piece.*