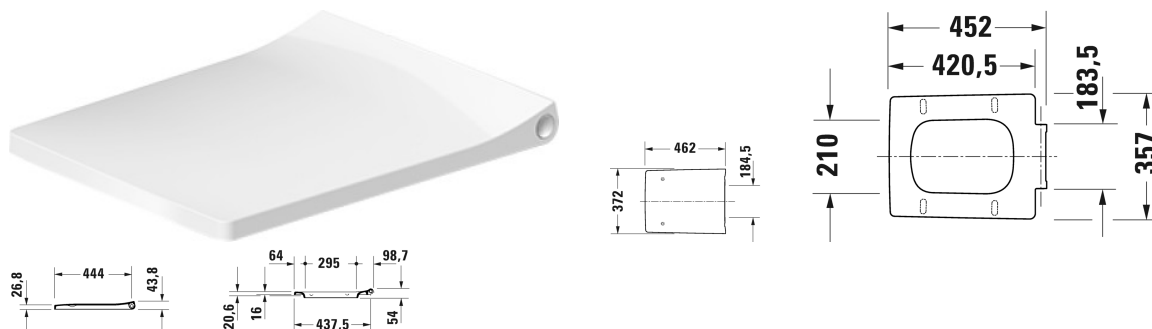


## Viu Toilet seat and cover # 0021190000



Toilet seat and cover	Dimension	Weight	Order number
removable, hinges stainless steel, with soft closure			
<b>Colors</b>			
00 White Alpin			
<b>Variant</b>			
		2.900 kilogram	0021190000
<b>Suitable products</b>			
Toilet wall mounted Duravit Rimless® rimless, washdown model, Durafix included, UWL class 1, 370 x 570 mm	370 x 570 mm		251109

*All drawings contain the necessary measurements which are subject to standard tolerances. They are stated in mm and are non-binding. Exact measurements, in particular for customised installation scenarios, can only be taken from the finished piece.*