

Vernis Shape
Single lever shower mixer for concealed installation
 Surfaces: **Chrome** Article Number: **71658000**



Description

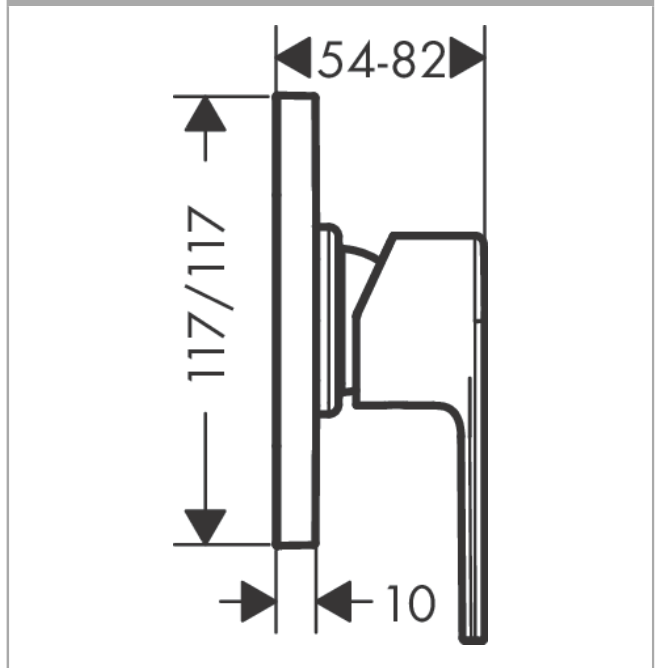
product features

- 1 function
- connection type: basic set
- maximum flow rate at 3 bar: 28,7 l/min
- ceramic cartridge
- min. operating pressure: 1 bar
- max. operating pressure: 10 bar
- temperature limitation adjustable

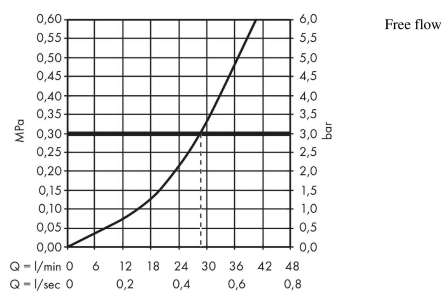
Product image



Scale drawing



Flowchart

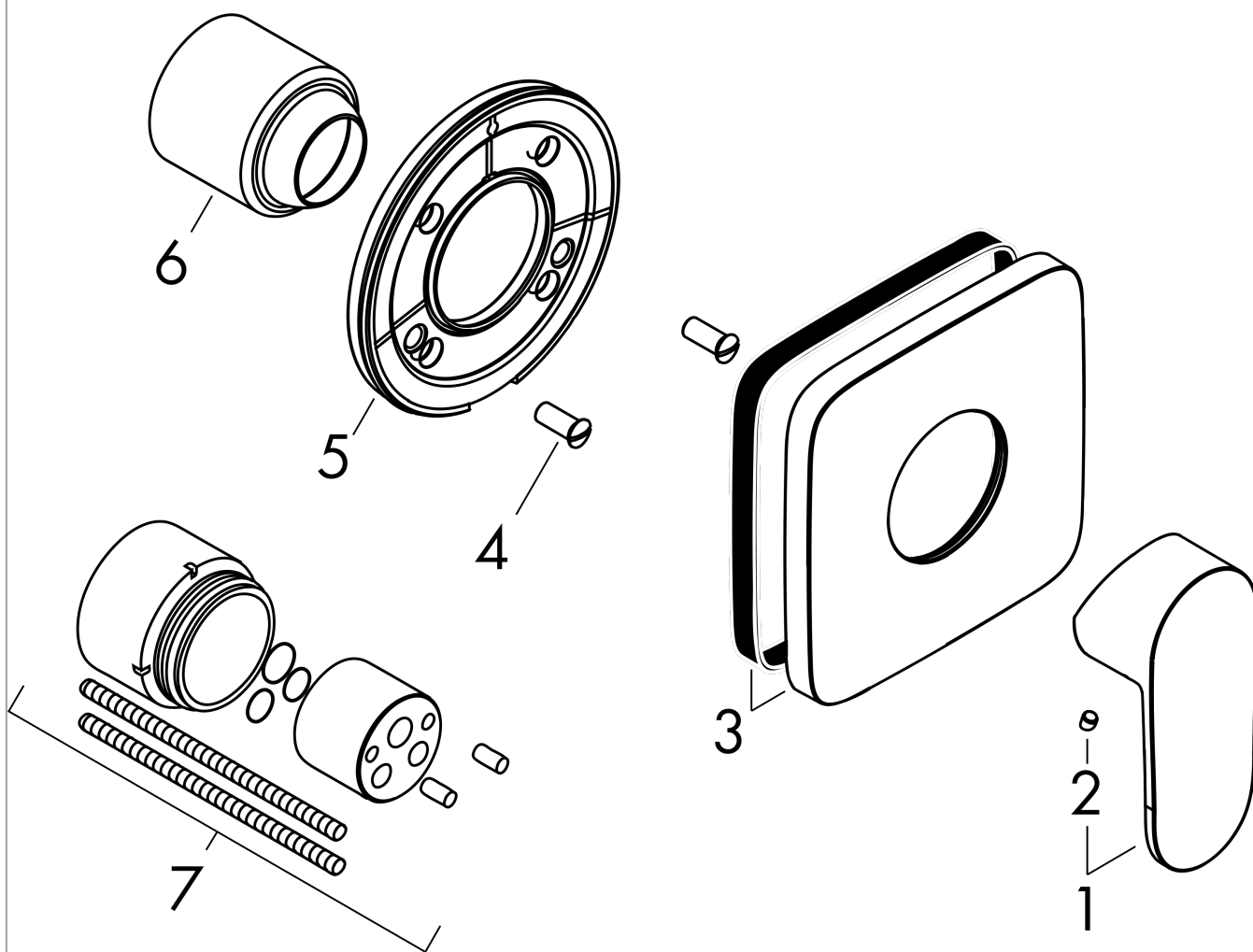


Vernis Shape
Single lever shower mixer for concealed installation
 Surfaces: **Chrome** Article Number: **71658000**



Exploded Drawing

Year of production: >04/21



Vernis Shape
Single lever shower mixer for concealed installation
 Surfaces: **Chrome** Article Number: **71658000**



Spare part list

Year of production: >04/21

Pos.	Description	Article Number	Price	PU
1	handle	93719000	-	1
2	screw cover	96338000	-	1
3	escutcheon	93469000	-	1
4	hollow screw	96065000	-	1
5	holder for escutcheon	93467000	-	1
6	flange	96348000	-	1
7	extension set 28 mm shower mixer	32698000	-	1