

Anti-Blocking Pressmatic Compact Urinal Valve

Code 00633006 - Chrome

DESCRIPTION

The anti-blocking Pressmatic compact urinal valve was designed for public environments and high circulation of people, since it has durability in the face of corrosion and deprecation, in addition to having an installation with specific screws, which cannot be operated with any maintenance key.

TECHNOLOGY AND CHARACTERISTICS



Bi-nickel
Chrome



High
durability



Embedded
aerator

ADVANTAGES

The PressMatic Fixed Cycle line is ideal for use in collective environments such as bathrooms, stadiums, roads, schools, prisons, airports and parks. These products have a system that only releases water flow after the button is pressed and released. This new technology prevents damage caused by acts of vandalism in public places, preventing that water is wasted in attempts to leave the tap always pressed.

The embedded aerator, besides providing guaranteed savings on water, it is more comfortable to handle and avoids splashing, making the visual appearance of the spout cleaner.

Pressmatic taps are equipped with hydro-mechanical activation; just a slight touch of the hand and it automatically closes after about 6 seconds. The system is practical, guaranteed to be long-lasting, resistant to vandalism, and increased hygiene: as once it is activated, the user does not have any contact with the product. Besides being practical, the products are extremely and long-lasting.

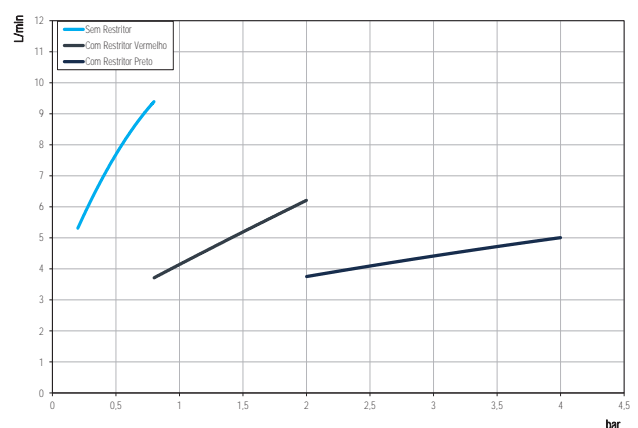
Acabamento cromado biníquel que proporciona alta durabilidade e maior resistência à corrosão, conservando a beleza e o brilho dos produtos por muito mais tempo.

TECHNICAL SPECIFICATIONS

OPENING SYSTEM	Automatically closes
AERATOR	Embedded aerator
GAUGE	1/2" - DN 15
PRESSURE CLASS	From 0,2 to 4 kgf/cm ² or from 3 to 57 psi
MAXIMUM WATER TEMPERATURE	40°C
STANDARD	NBR 13713
PACKAGE CONTENT	1 Escutcheon, 1 Body, 1 Reduction nipple, 1 Cartridge, 1 Rectangular ring, 1 Nut, 1 Curved spout, 2 Flow restrictor, 1 Plug
COMPOSITION	Copper alloys, elastomers, engineering plastics and stainless steel
ACTIVATION	Button Actuation
INSTALLATION TYPE	Wall



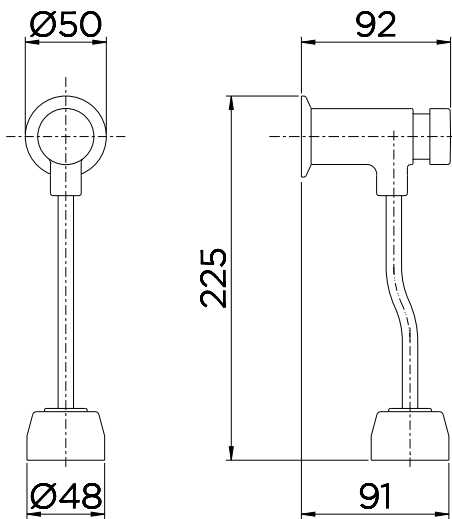
FLOW CURVE



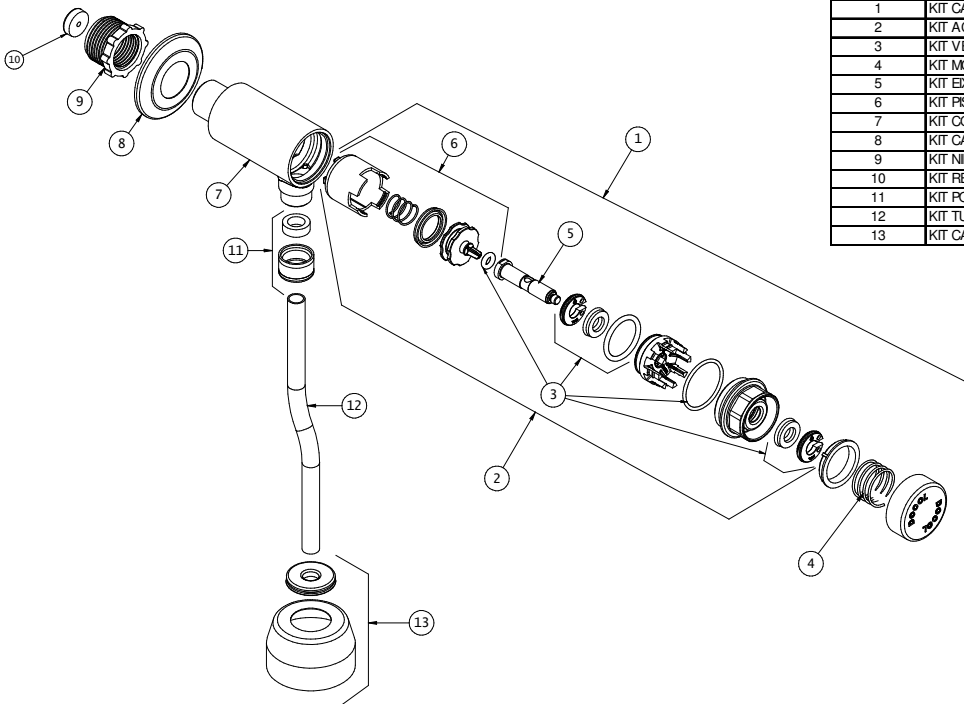
WARRANTY

Call Docol Authorized Distributor in your country.

DIMENSIONS



SPARE PARTS



ITEM	DESCRIÇÃO	CODIGO
1	KIT CARTUCHO CICLO FIXO COMPLETO CR	00652106
2	KIT AÇIONAMENTO CICLO FIXO CR	00652206
3	KIT VEDANTES CICLO FIXO	00652300
4	KIT MOLLA CICLO FIXO	00652400
5	KIT EIXO CICLO FIXO CR	00652606
6	KIT PISTÃO CICLO FIXO	00652700
7	KIT CORPO MICTÓRIO PRESCO CR	00354706
8	KIT CANOPLA (Ø)50 x 12 PRESCO CR	17992306
9	KIT NIPLE REDUÇÃO 3/4" x 1/2"	00528200
10	KIT RESTRITORES DE VAZAO	17991153
11	KIT PORCA 3/8" VEDAÇÃO PRESCO CR	17992406
12	KIT TUBO CURVO 3/8" PRESCO CR	17992506
13	KIT CANOPLA (Ø)48 PRESCO CR	17993306

WANT YOU KNOW MORE?

REFER TO THE INSTALLATION MANUAL
IN OUR WEBSITE.