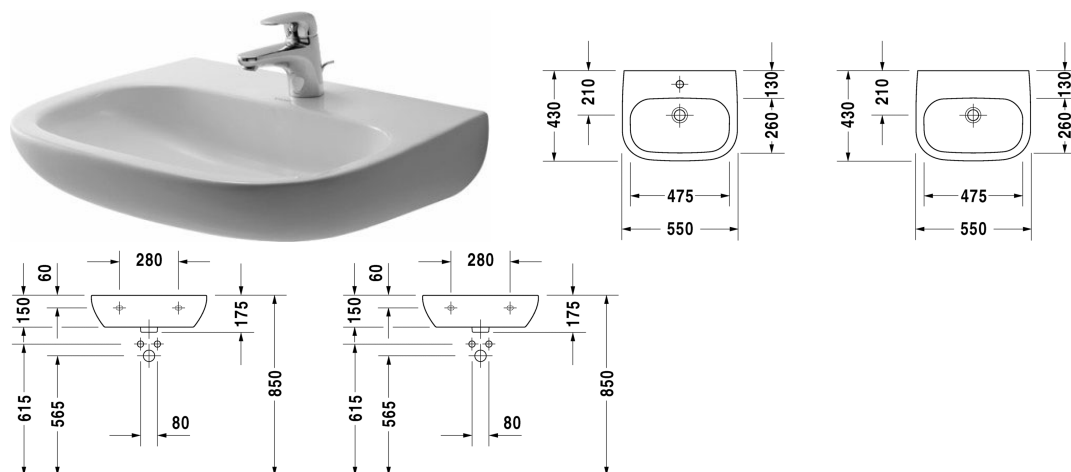


D-Code Washbasin Med # 23115500002 / 23115500702

| < 550 mm > |



Washbasin Med	Dimension	Weight	Order number
without overflow, with tap platform, underneath glazed, 550 mm			
Colors			
00 White Alpin			
Variant			
●	550 x 430 mm	16.100 kilogram	23115500002
☒	550 x 430 mm	16.100 kilogram	23115500702
Recommended faucets			
2-hole electronic basin mixer M with built-in power supply electronic control via operating knob, temperature change simply by rotating visualized by color light change, locking function for ease of cleaning, flow rate 5,0 l/min (3 bar), maximum temperature and waterflow time can be set individually, Permanent waterflow for thermal disinfection activatable, hygienic flush adjustable, scalding protection, normal spray, aerator adjustable, projection 148 mm, recommended operating pressure 3 - 5 bar, without pop-up waste set, without volume control, includes: spout, electronic control unit, operating knob (cable length 1200 mm),			D11100008

<p>2-hole electronic basin mixer M with plug-in power supply electronic control via operating knob, temperature change simply by rotating visualized by color light change, locking function for ease of cleaning, flow rate 5,0 l/min (3 bar), maximum temperature and waterflow time can be set individually, Permanent waterflow for thermal disinfection activatable, hygienic flush adjustable, scalding protection, normal spray, aerator adjustable, projection 148 mm, recommended operating pressure 3 - 5 bar, without pop-up waste set, without volume control, includes: spout, electronic control unit, operating knob (cable length 1200 mm),</p>	<p>D11100007</p>
<p>2-hole basin mixer M ceramic cartridge, flexible connection hoses 3/8", connection size DN15, normal spray, flow rate 5,0 l/min (3 bar), aerator adjustable, projection 148 mm, recommended operating pressure 3 - 5 bar, without pop-up waste set,</p>	<p>D11120002</p>
<p>2-hole basin mixer M with turning handle ceramic cartridge, flexible connection hoses 3/8", connection size DN15, normal spray, flow rate 5,0 l/min (3 bar), aerator adjustable, projection 148 mm, recommended operating pressure 3 - 5 bar, without pop-up waste set,</p>	<p>D11120009</p>

All drawings contain the necessary measurements which are subject to standard tolerances. They are stated in mm and are non-binding. Exact measurements, in particular for customised installation scenarios, can only be taken from the finished piece.