

Pressmatic Vandal-proof Constant Flow Shower Valve

17125006

DESCRIPTION

Shower with horizontal input for installation in wall hydromechanical drive with light hand pressure.



TECHNOLOGY AND CHARACTERISTICS



High durability



Bi-nickel Chrome



ADVANTAGES

The shower is equipped with a hydro-mechanical activation system, in order to avoid wasting water and automatic closure in about 30 seconds.

It is developed with an economic sieve and a constant flow of 8 liters/minute.

Provides greater security, as it can be concealed/anchored to the wall, and can bear a weight up to 200 kilograms.

It is coated with bi-nickel chrome plating, supplying great durability and increased resistance to corrosion, maintaining the beauty and the glossiness of the product much longer.

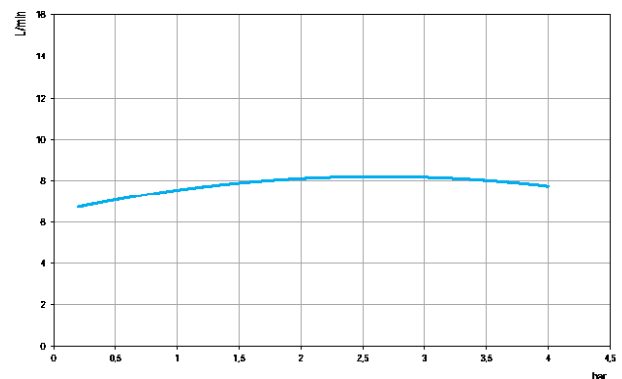
Vandal-proof products were redesigned for installing in public places with a large circulation of people, exhibiting great durability, resistance to tampering, vandalism, and theft.

Practical system that ensures long service life, degradation resistance and higher hygiene: Once activated, the user no longer has contact with the product;

WARRANTY

Call Docol Authorized Distributor in your country.

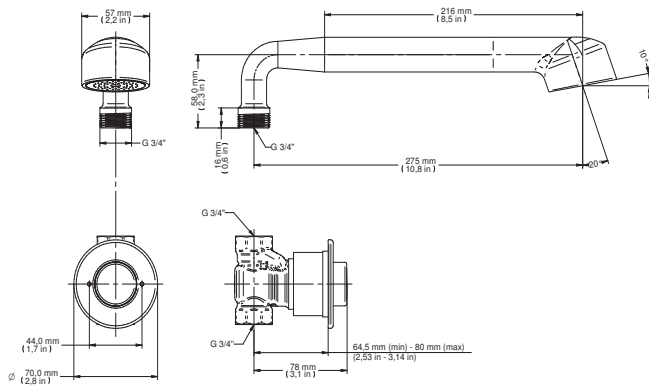
RATED FLOW CURVE



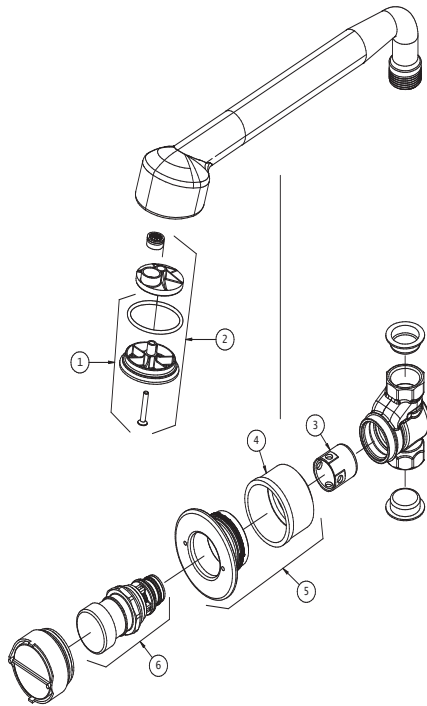
TECNICAL SPECIFICATIONS

PRESSURE CLASS OF	0,2 - 4 Bar
GAUGE	3/4" - DN20
COMPOSITION	Copper alloy, Plastic Engineering, Zamac and INOX.
MAXIMUM WATER TEMPERATURE	70°C
REFERENCE NORM	NBR 13713
CYCLE VOLUME (LITERS)	6 L
SUPPLEMENTS	Accompany flow restrictor.

DIMENSIONS



SPARE PARTS



POS	CODE	DESCRIPTION
1	17994000	KIT CRIVO CHUVEIRO PRESAV
2	00440400	KIT REST VAZAO CHUVEIRO PRESAV
3	17992900	KIT CILINDRO D6 PRESICO
4	17994300	KIT BUCHA PROTECAO PRESAV
5	17994406	KIT FLANGE/BUCHA PRESAV CR
6	17995400	KIT CART ACION PRESAV CHUV

WANTYOUKNOWMORE?
REFER TO THE INSTALLATION
MANUAL IN OUR WEBSITE.