

Receiver

From

Society
Reference
Address
Phone
Fax
E-mail

Item n° : 102670100
Customer pos. no.:
Model : JETCOM 132 M

Pump data

Pressure rating : 87,02 psi
Min. fluid temperature : 0 °C
Max. fluid temperature : 35 °C
Max. Ambient temperature : 40 °C

Priming capacity :

H m	2	3	4	5	6	7	8	9
Q m³/h	4,68	4,32	4,02	3,66	3,24	2,76	2,28	1,86

Requested data

Flow :
Head :
Fluid : Water
Fluid Temperature : 20 °C
Density : 998,3 kg/m³
Kinematic viscosity : 1,005 mm²/s
Vapor pressure : 0,34 psi

Hydraulic data (duty point)

Flow :
Head :

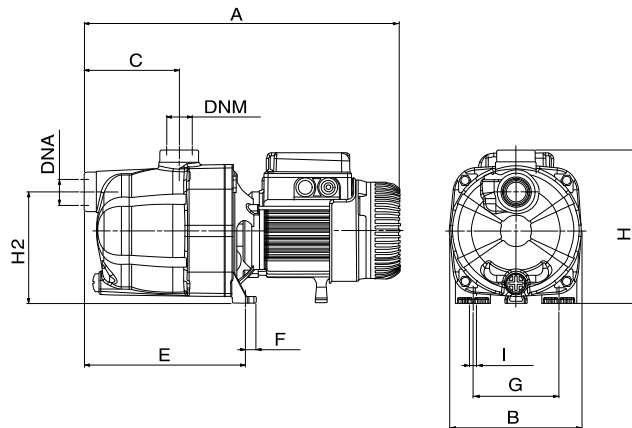
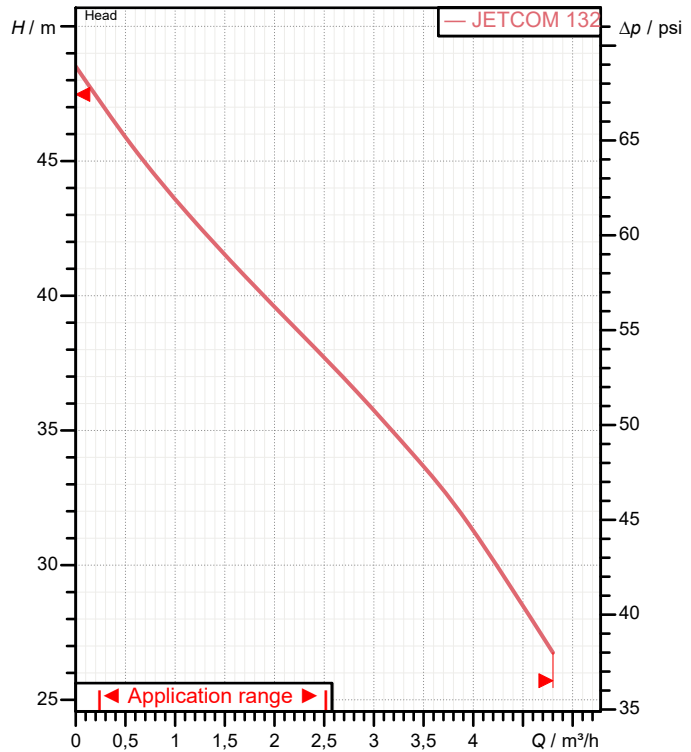
Materials

Pump body : Technopolymer A
Disc seal : AISI 304 X5 Cr Ni 1810 UNI 6900/71
Impeller : Technopolymer A
Mechanical seal : Carbon/Ceramic
O-Ring : NBR Rubber
Shaft with rotor : AISI 416 X12 CrS 13 UNI 6900/71
Nozzle venturi diffuser assembly : Technopolymer A

Motor data

Motor brand : DAB
Nominal power P2 : 1 kW
Rated speed : 2.750 1/min
Rated voltage : 1~ 230 V 50 Hz
Nominal current : 6,6 A
Degree of protection : IP 44

Curve tolerance according to ISO 9906



Dimensions in mm

A	425	DNM	1" G	H	203		
B	170	E	208	H2	144		
C	122	F	14	I Ø	9		
DNA	1" G	G	111				

Weight : 10,5 kg

Pump connection

Suction side : 1" G / 87,02 psi
Discharge side : 1" G / 87,02 psi



WATER • TECHNOLOGY

PERFORMANCE CURVES

2023-02-22

Page 2 / 3

DAB PUMPS S.p.A.
Via Marco Polo, 14 - 35035 Mestrino (PD), Italy
Tel. +39 049 5125000 - Fax +39 049 5125950
www.dabpumps.com

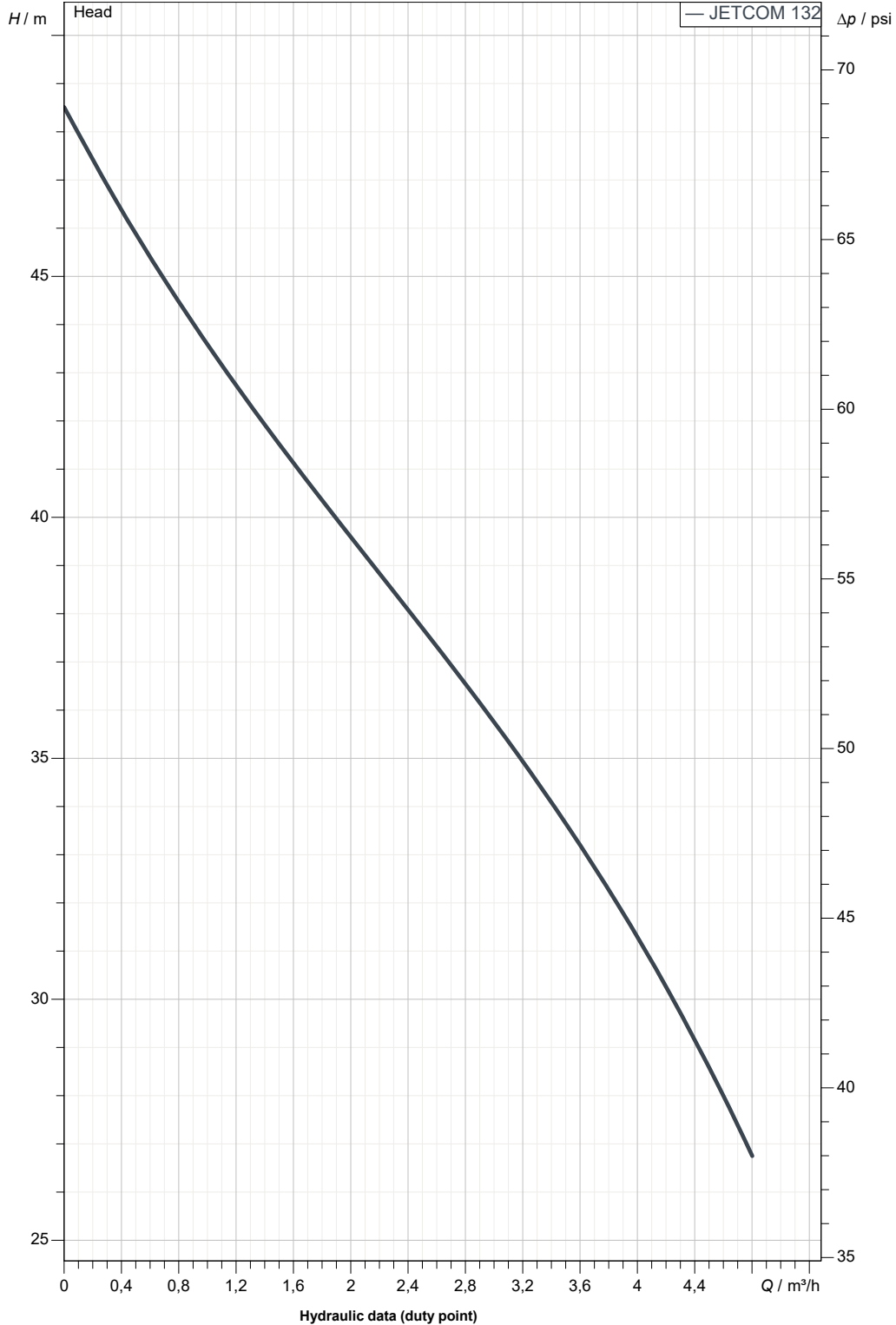
Receiver

From

Society
Reference
Address
Phone
Fax
E-mail

JETCOM 132 M

Curve tolerance according to ISO 9906



Suction side :
1" G
87.02 psi

Discharge side :
1" G
87.02 psi

Flow :

Head :

Rated speed :
2.750 1/min

MAIN_PROJECT_TITLE

BUSINESS_PROCESS_ID

OWNER_

ISSUE_DATE
2023-02-22



DIMENSIONAL DRAWING

2023-02-22

Page 3 / 3

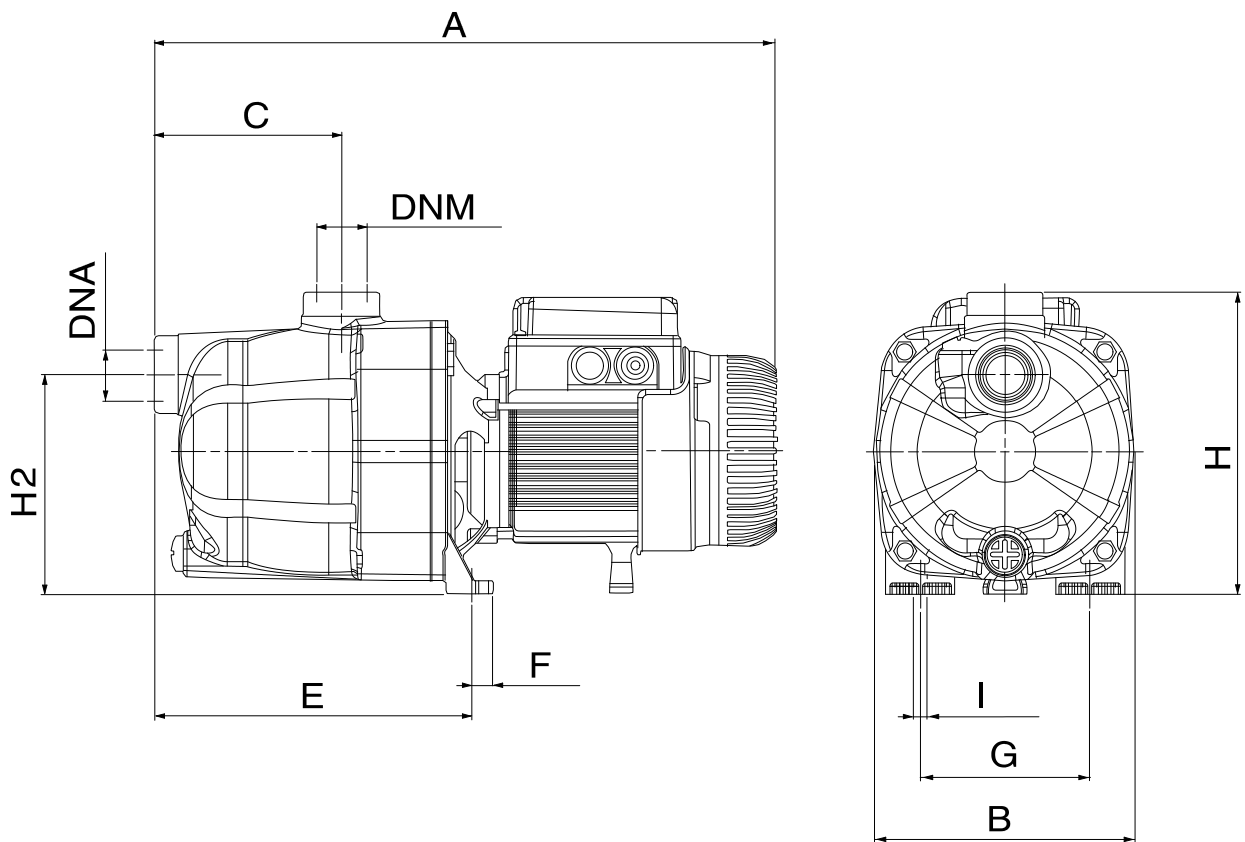
DAB PUMPS S.p.A.
Via Marco Polo, 14 - 35035 Mestrino (PD), Italy
Tel. +39 049 5125000 - Fax +39 049 5125950
www.dabpumps.com

Receiver

From

Society
Reference
Address
Phone
Fax
E-mail

JETCOM 132 M



Dimensions in mm

Pump connection

1	A	425					
2	B	170					Suction
3	C	122					1" G
4	DNA	1" G					87,02 psi
5	DNM	1" G					
6	E	208					Discharge
7	F	14					1" G
8	G	111					87,02 psi
9	H	203					
10	H2	144					
11	I Ø	9					

MAIN_PROJECT_TITLE

BUSINESS_PROCESS_ID

OWNER_

ISSUE_DATE

2023-02-22