

Receiver

From

Society
Reference
Address
Phone
Fax
E-mail

Item n° : 102121032
Customer pos. no.:

Model :
K 40/100 M

Pump data

MEI ≥
Pressure rating : 87,02 psi
Min. fluid temperature : -10 °C
Max. fluid temperature : 50 °C
Max. Ambient temperature : 40 °C

Requested data

Flow :
Head :
Fluid : Water
Fluid Temperature : 20 °C
Density : 998,3 kg/m³
Kinematic viscosity : 1,005 mm²/s
Vapor pressure : 0,34 psi

Hydraulic data (duty point)

Flow :
Head :
NPSH :
Shaft power P₂ :
Efficiency :

Materials

Pump body : Cast iron 200 UNI ISO 185
Support : Cast iron 200 UNI ISO 185
Impeller : Technopolymer A
Mechanical seal : Carbon/Ceramic
O-Ring : NBR Rubber
Shaft with rotor : AISI 303 X10 CrNiS 1809 UNI 6900/71
Intermediate cover : Cast iron 200 UNI ISO 185

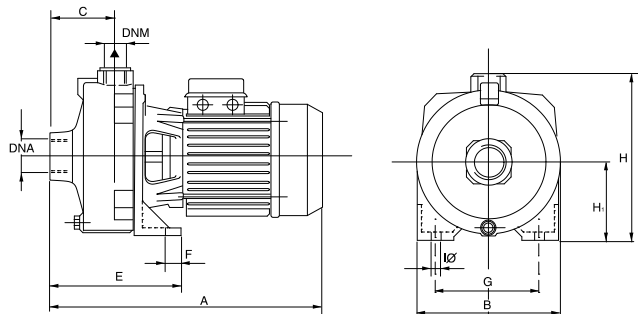
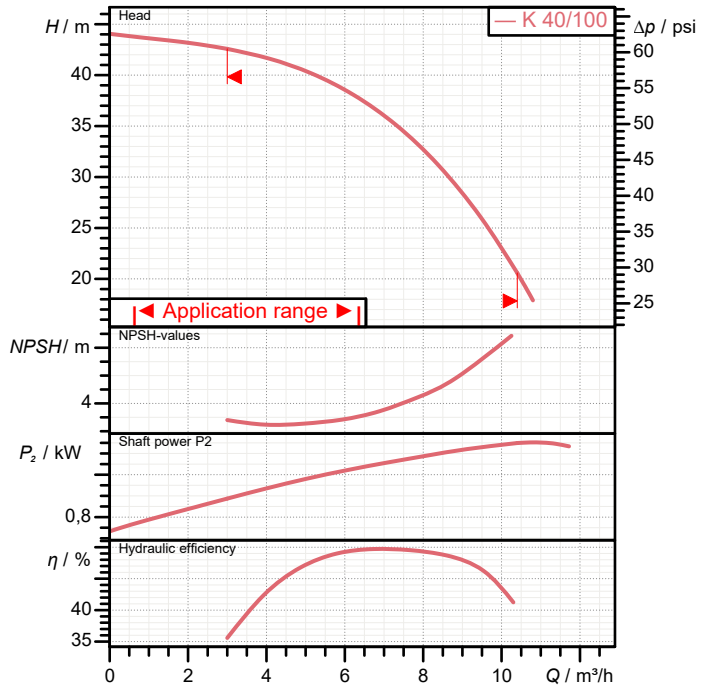
Motor data

Motor brand : DAB
Nominal power P₂ : 1,85 kW
Rated speed : 2.850 1/min
Rated voltage : 1~ 220-240 V 50 Hz
Nominal current : 9 A
Degree of protection : IP 44

Pump connection

Suction side : 1" 1/2 G / 87,02 psi
Discharge side : 1" G / 87,02 psi

Curve tolerance according to ISO 9906



Weight : 25,9 kg

Dimensions in mm

A	461
B	205
C	88
DNA	1" 1/2 G
DNM	1" G
E	179
F	20
G	145
H	233
H1	108
IØ	11



PERFORMANCE CURVES

2023-02-22

Page 2 / 3

DAB PUMPS S.p.A.
Via Marco Polo, 14 - 35035 Mestrino (PD), Italy
Tel. +39 049 5125000 - Fax +39 049 5125950
www.dabpumps.com

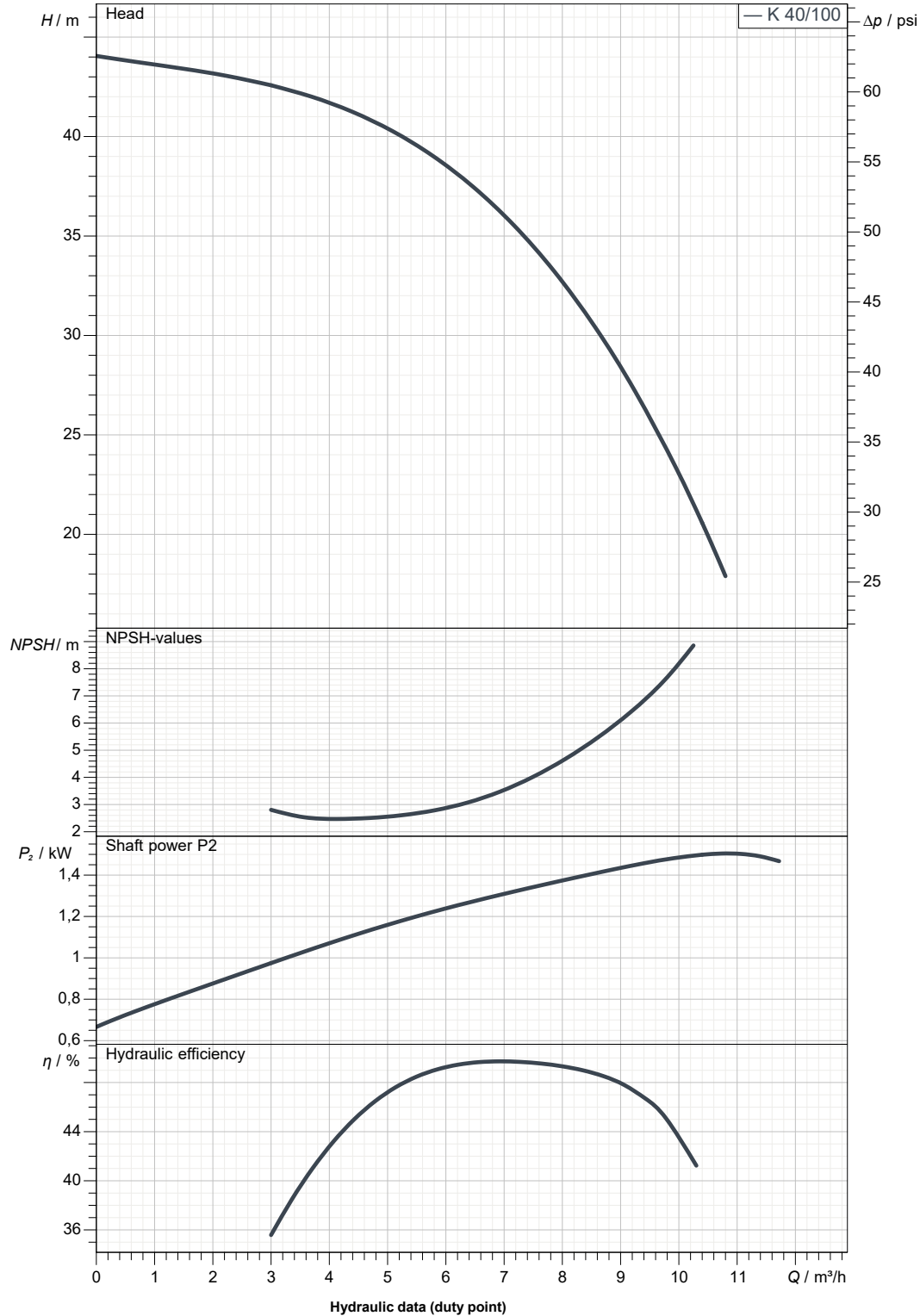
Receiver

From

Society
Reference
Address
Phone
Fax
E-mail

K 40/100 M

Curve tolerance according to ISO 9906



Suction side :
1" 1/2 G
87,02 psi

Discharge side :
1" G
87,02 psi

Flow :

Head :

Rated speed :
2.850 1/min

MAIN_PROJECT_TITLE

BUSINESS_PROCESS_ID

OWNER_

ISSUE_DATE
2023-02-22



DIMENSIONAL DRAWING

2023-02-22

Page 3 / 3

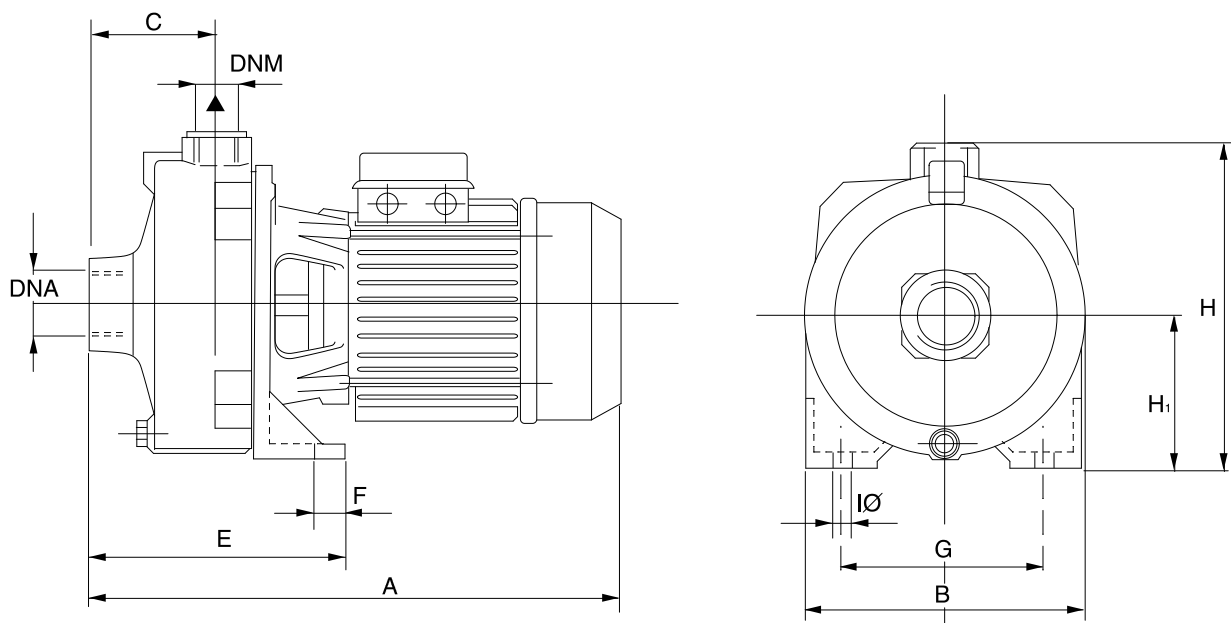
DAB PUMPS S.p.A.
Via Marco Polo, 14 - 35035 Mestrino (PD), Italy
Tel. +39 049 5125000 - Fax +39 049 5125950
www.dabpumps.com

Receiver

From

Society
Reference
Address
Phone
Fax
E-mail

K 40/100 M



Dimensions in mm

Pump connection

1	A	461					
2	B	205					Suction
3	C	88					1" 1/2 G
4	DNA	1" 1/2 G					87,02 psi
5	DNM	1" G					
6	E	179					Discharge
7	F	20					1" G
8	G	145					87,02 psi
9	H	233					
10	H _i	108					
11	Ø	11					

MAIN_PROJECT_TITLE

BUSINESS_PROCESS_ID

OWNER

ISSUE_DATE

2023-02-22