

Receiver

From

Society
Reference
Address
Phone
Fax
E-mail

Item n° : 60179381
Customer pos. no.:

Model :
K 70/300 T IE3

Pump data

MEI ≥
Pressure rating : 174 psi
Min. fluid temperature : -15 °C
Max. fluid temperature : 110 °C
Max. Ambient temperature : 40 °C

Requested data

Flow :
Head :
Fluid : Water
Fluid Temperature : 20 °C
Density : 998,3 kg/m³
Kinematic viscosity : 1,005 mm²/s
Vapor pressure : 0,34 psi

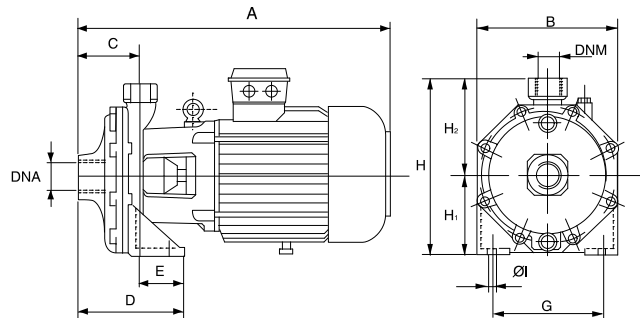
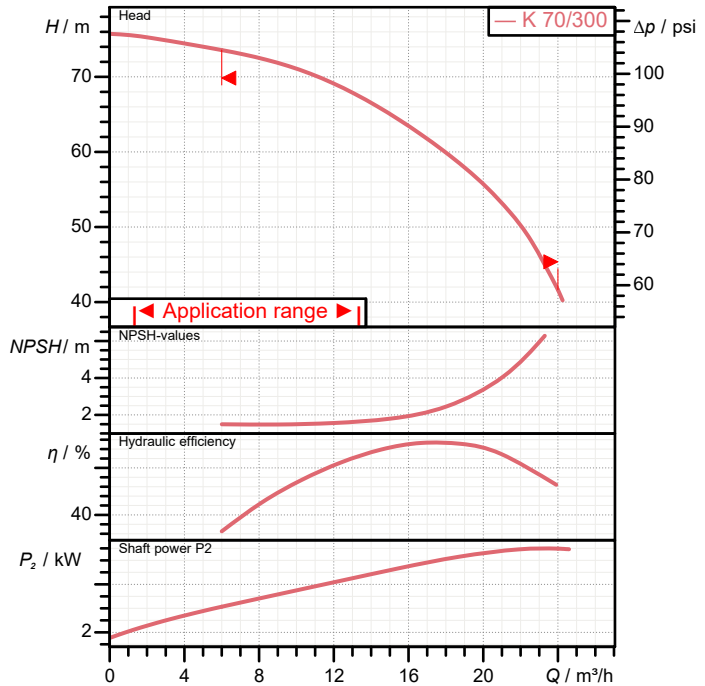
Hydraulic data (duty point)

Flow :
Head :
NPSH :
Shaft power P2 :
Efficiency :

Materials

Pump body : Cast iron 200 UNI ISO 185
Support : Cast iron 200 UNI ISO 185
Impeller : Technopolymer B
Mechanical seal : Carbon/Ceramic
O-Ring : Guarnital
Shaft with rotor : AISI 304 X5 Cr Ni 1810 UNI 6900/71
Intermediate cover : Cast iron 200 UNI ISO 185

Curve tolerance according to ISO 9906



Weight : 72 kg

Motor data

Motor brand : DAB
Nominal power P2 : 5,5 kW
Rated speed : 2.900 1/min
Rated voltage : 3~ 400 V 50 Hz
Nominal current : 12,9 A
Degree of protection : IP 55

Dimensions in mm

A	595
B	270
C	122
D	182
DNA	2" G
DNM	1" 1/4 G
E	60
F	20
G	210
H	340
H1	160
H2	180
IØ	14

Pump connection

Suction side : 2" G / 174 psi
Discharge side : 1" 1/4 G / 174 psi



PERFORMANCE CURVES

2023-02-22

Page 2 / 3

DAB PUMPS S.p.A.
Via Marco Polo, 14 - 35035 Mestrino (PD), Italy
Tel. +39 049 5125000 - Fax +39 049 5125950
www.dabpumps.com

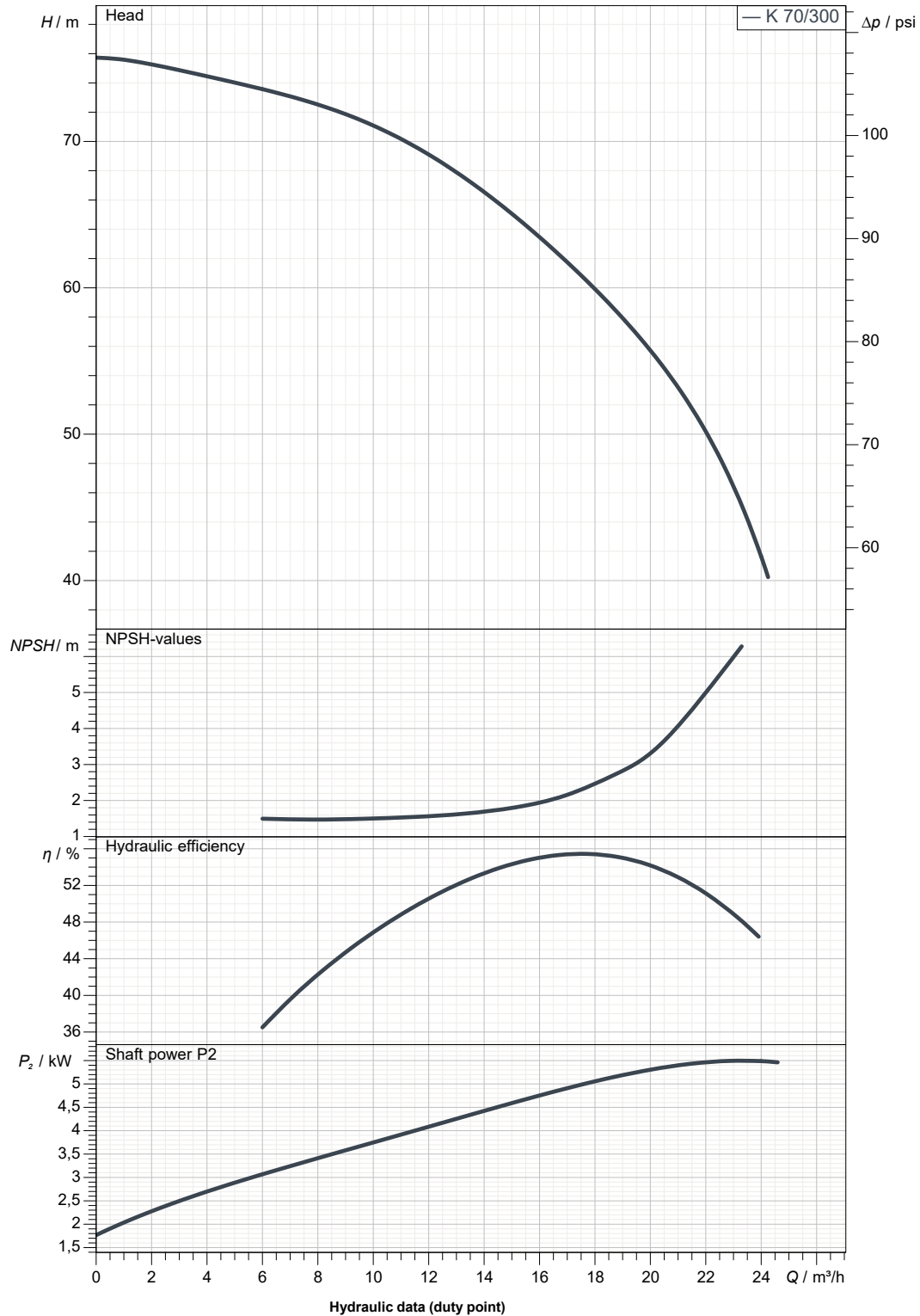
Receiver

From

Society
Reference
Address
Phone
Fax
E-mail

K 70/300 T IE3

Curve tolerance according to ISO 9906



Suction side :
2" G
174 psi

Discharge side :
1" 1/4 G
174 psi

Flow :

Head :

Rated speed :
2.900 1/min

MAIN_PROJECT_TITLE

BUSINESS_PROCESS_ID

OWNER_

ISSUE_DATE
2023-02-22



DIMENSIONAL DRAWING

2023-02-22

Page 3 / 3

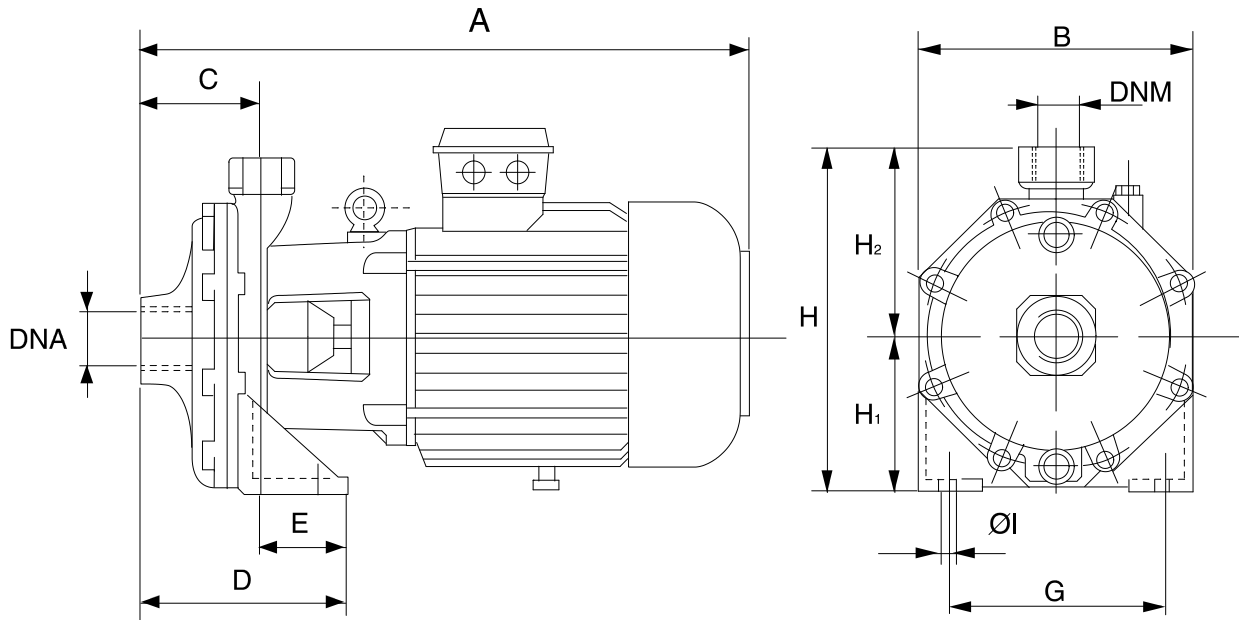
DAB PUMPS S.p.A.
Via Marco Polo, 14 - 35035 Mestrino (PD), Italy
Tel. +39 049 5125000 - Fax +39 049 5125950
www.dabpumps.com

Receiver

From

Society
Reference
Address
Phone
Fax
E-mail

K 70/300 T IE3



Dimensions in mm						Pump connection
1	A	595	H2	180		Suction 2" G 174 psi Discharge 1" 1/4 G 174 psi
2	B	270	∅	14		
3	C	122				
4	D	182				
5	DNA	2" G				
6	DNM	1" 1/4 G				
7	E	60				
8	F	20				
9	G	210				
10	H	340				
11	H1	160				

MAIN_PROJECT_TITLE	BUSINESS_PROCESS_ID	OWNER	ISSUE_DATE 2023-02-22
--------------------	---------------------	-------	---------------------------------