

Receiver	From
Society Reference Address Phone Fax E-mail	

Item n° :	Customer pos. no.:
60167629	
Model :	
K 80/300 T IE3	

Pump data	
MEI ≥	
Pressure rating :	174 psi
Min. fluid temperature :	-15 °C
Max. fluid temperature :	110 °C
Max. Ambient temperature :	40 °C

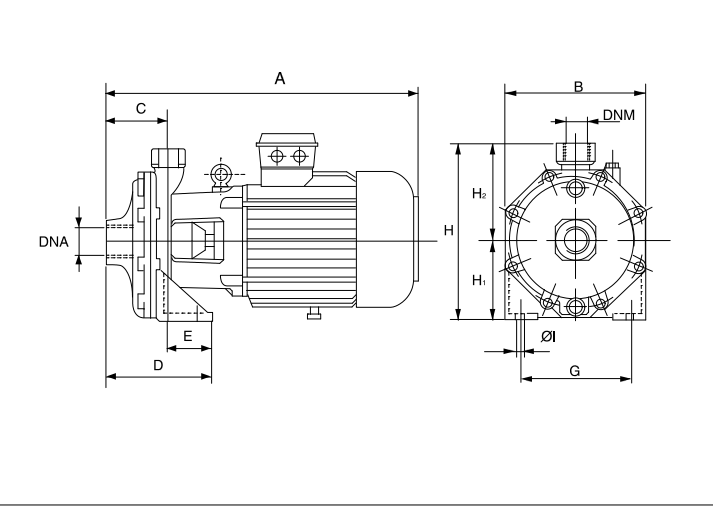
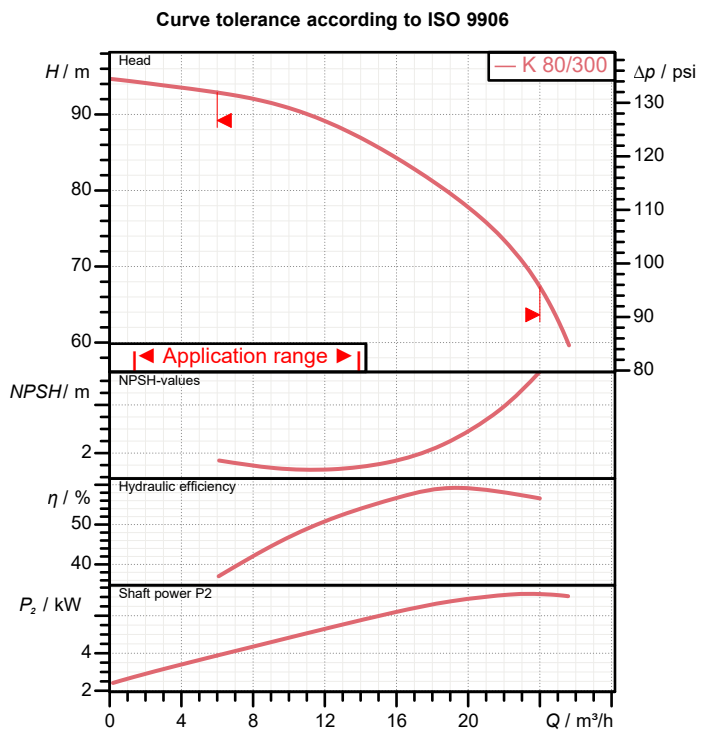
Requested data	
Flow :	
Head :	
Fluid :	Water
Fluid Temperature :	20 °C
Density :	998,3 kg/m ³
Kinematic viscosity :	1,005 mm ² /s
Vapor pressure :	0,34 psi

Hydraulic data (duty point)	
Flow :	
Head :	
NPSH :	
Shaft power P2 :	
Efficiency :	

Materials	
Pump body	Cast iron 200 UNI ISO 185
Support	Cast iron 200 UNI ISO 185
Impeller	Technopolymer B
Mechanical seal	Carbon/Ceramic
O-Ring	Guarnital
Shaft with rotor	AISI 304 X5 Cr Ni 1810 UNI 6900/71
Intermediate cover	Cast iron 200 UNI ISO 185

Motor data	
Motor brand :	DAB
Nominal power P2 :	7,5 kW
Rated speed :	2.900 1/min
Rated voltage :	3~ 400 V
Nominal current :	15 A
Degree of protection :	IP 55

Pump connection	
Suction side :	2" G / 174 psi
Discharge side :	1" 1/4 G / 174 psi



Weight : 78,5 kg

Dimensions in mm	
A	595
B	270
C	122
D	182
DNA	2" G
DNM	1" 1/4 G
E	60
F	20
G	210
H	340
H1	160
H2	180
IØ	14



WATER • TECHNOLOGY

PERFORMANCE CURVES

2023-02-22

Page 2 / 3

DAB PUMPS S.p.A.
Via Marco Polo, 14 - 35035 Mestrino (PD), Italy
Tel. +39 049 5125000 - Fax +39 049 5125950
www.dabpumps.com

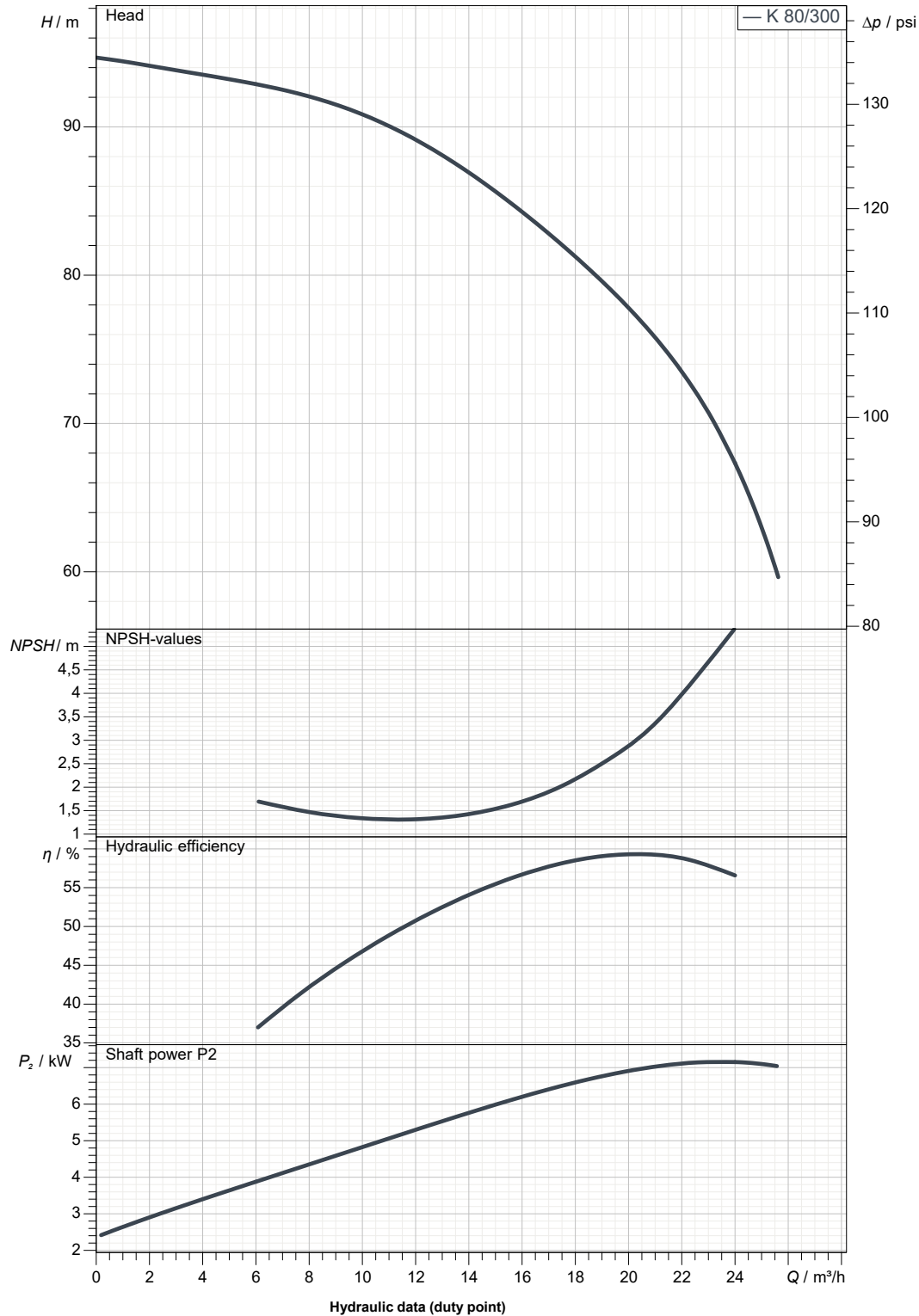
Receiver

From

Society
Reference
Address
Phone
Fax
E-mail

K 80/300 T IE3

Curve tolerance according to ISO 9906



Suction side :
2" G
174 psi

Discharge side :
1" 1/4 G
174 psi

Flow :

Head :

Rated speed :
2.900 1/min

MAIN_PROJECT_TITLE

BUSINESS_PROCESS_IE

OWNER_

ISSUE_DATE
2023-02-22



DIMENSIONAL DRAWING

2023-02-22

Page 3 / 3

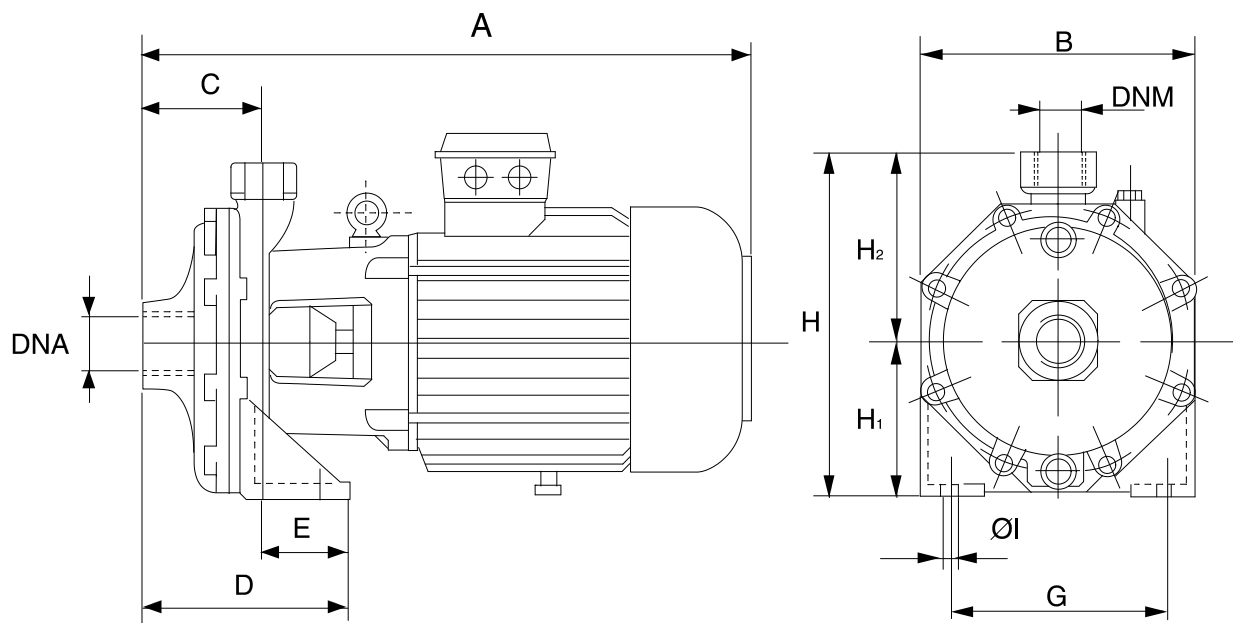
DAB PUMPS S.p.A.
Via Marco Polo, 14 - 35035 Mestrino (PD), Italy
Tel. +39 049 5125000 - Fax +39 049 5125950
www.dabpumps.com

Receiver

From

Society
Reference
Address
Phone
Fax
E-mail

K 80/300 T IE3



Dimensions in mm						Pump connection	
1	A	595	H ₂	180		Suction 2" G 174 psi Discharge 1" 1/4 G 174 psi	
2	B	270	∅	14			
3	C	122					
4	D	182					
5	DNA	2" G					
6	DNM	1" 1/4 G					
7	E	60					
8	F	20					
9	G	210					
10	H	340					
11	H ₁	160					
MAIN_PROJECT_TITLE			BUSINESS_PROCESS_ID		OWNER		ISSUE_DATE 2023-02-22