

Receiver	From
Society	
Reference	
Address	
Phone	
Fax	
E-mail	

<b>Item n° :</b> 505808001	<b>Customer pos. no.:</b>
<b>Model :</b> A 110/180 M	

<b>Pump data</b>	
Pressure rating :	145 psi
Min. fluid temperature :	-10 °C
Max. fluid temperature :	110 °C

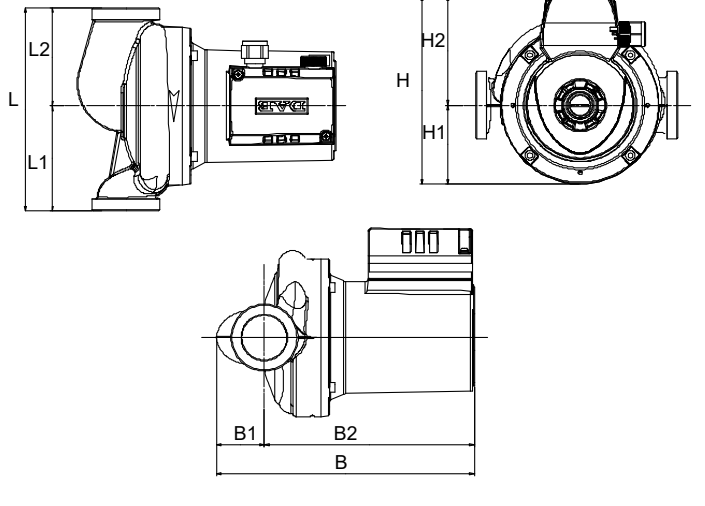
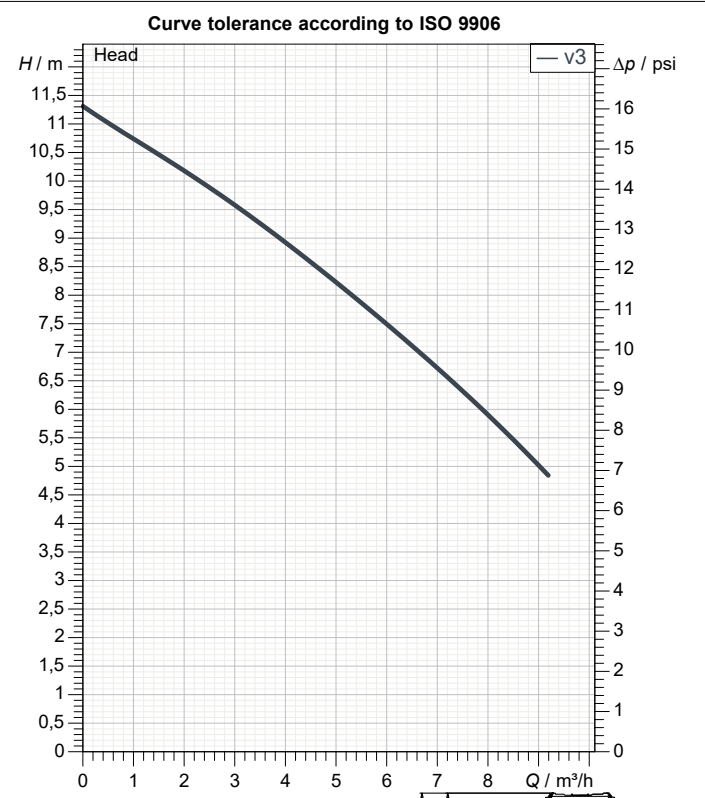
<b>Minimum suction head :</b>	
Temperature	°C 90
Minimum suction head :	m 2,5

<b>Requested data</b>	
Flow :	
Head :	
Fluid (%) :	
Fluid Temperature :	20 °C
Density :	998,3 kg/m <sup>3</sup>
Kinematic viscosity :	1,005 mm <sup>2</sup> /s
Vapor pressure :	0,34 psi

<b>Hydraulic data (duty point)</b>	
Flow :	
Head :	

<b>Materials</b>	
Pump body	Cast iron
Impeller	Technopolymer
Motor shaft	Stainless steel
Air vent plug	Brass
Seal ring	Etylene propylene
Motor casing	Die cast aluminium
Stator jacket	Stainless steel

<b>Motor data</b>		
Motor brand :	DAB	
Power input P1 :	0,41 kW	
Rated speed :	2.746 1/min	
Rated voltage :	1~ 230 V	50 Hz
Nominal current :	1,77 A	
Degree of protection :	IP 44	



<b>Dimensions in mm</b>							
B	229	H	167	L1	93		
B1	42	H1	70	L2	87		
B2	186	H2	97				
F	1 1/2 °C	L	180				

**Weight :** 5,3 kg

**Pump connection**

Suction side :	1 " 1/2 / 145 psi
Discharge side :	1 " 1/2 / 145 psi



# PERFORMANCE CURVES

2023-02-22

Page 2 / 3

DAB PUMPS S.p.A.  
Via Marco Polo, 14 - 35035 Mestrino (PD), Italy  
Tel. +39 049 5125000 - Fax +39 049 5125950  
www.dabpumps.com

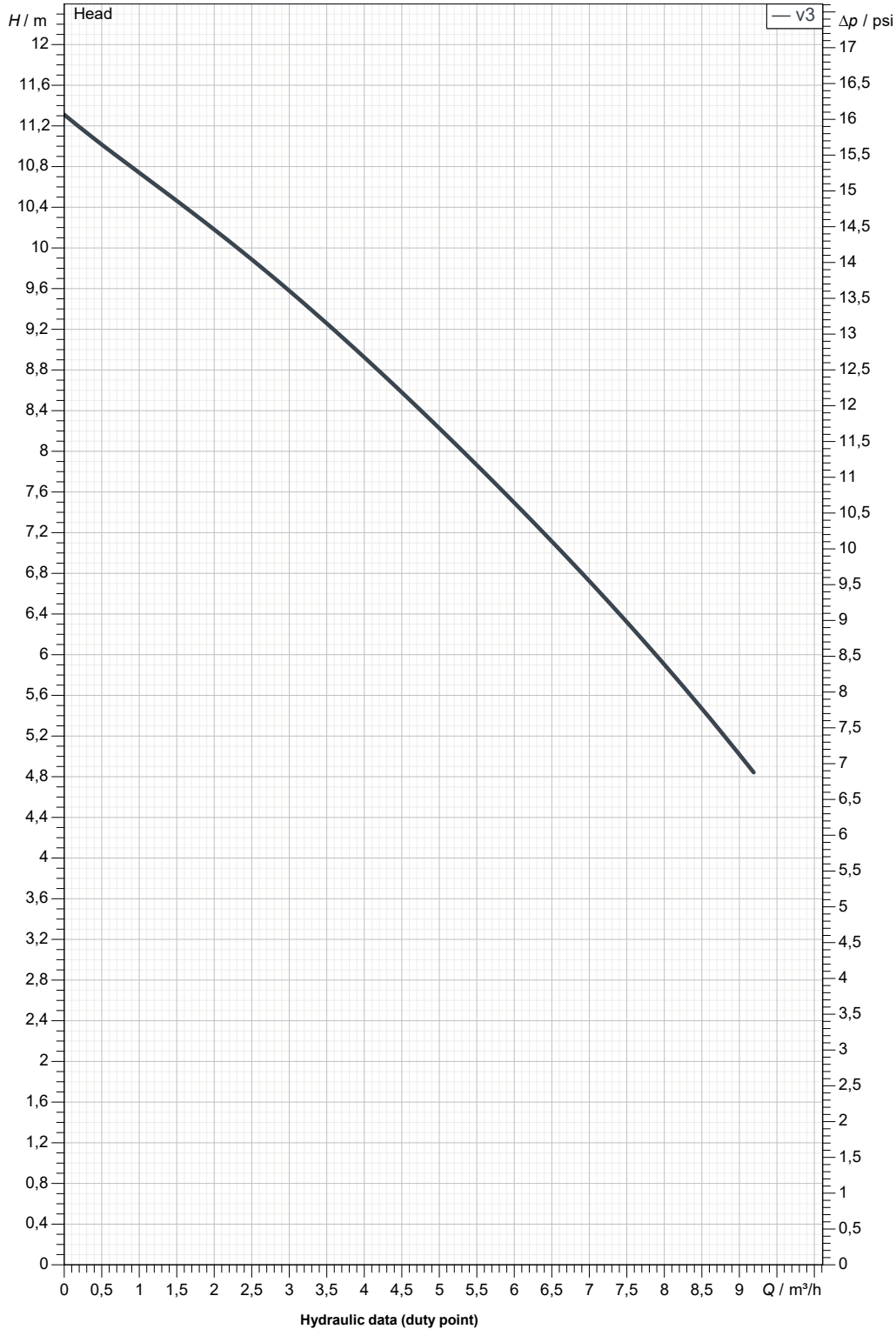
Receiver

From

Society  
Reference  
Address  
Phone  
Fax  
E-mail

## A 110/180 M

Curve tolerance according to ISO 9906



Suction side :  
1" 1/2  
145 psi

Discharge side :  
1" 1/2  
145 psi

Flow :

Head :

Rated speed :  
2.746 1/min

MAIN\_PROJECT\_TITLE

BUSINESS\_PROCESS\_ID

OWNER\_

ISSUE\_DATE  
2023-02-22



# DIMENSIONAL DRAWING

2023-02-22

Page 3 / 3

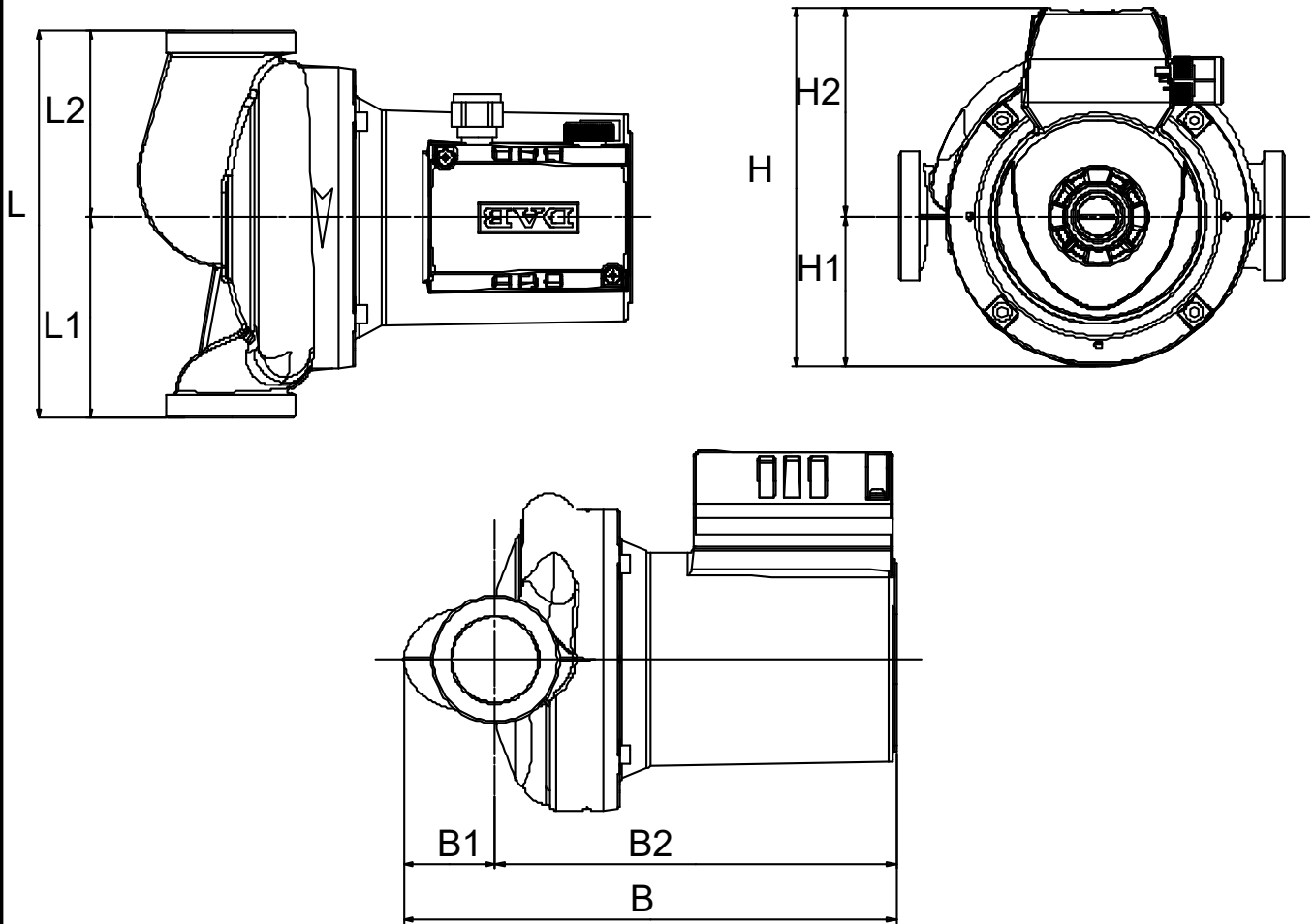
DAB PUMPS S.p.A.  
Via Marco Polo, 14 - 35035 Mestrino (PD), Italy  
Tel. +39 049 5125000 - Fax +39 049 5125950  
www.dabpumps.com

Receiver

From

Society  
Reference  
Address  
Phone  
Fax  
E-mail

## A 110/180 M



Dimensions in mm				Pump connection	
1	B	229			
2	B1	42			Suction
3	B2	186			1" 1/2
4	F	1 1/2 "G			145 psi
5	H	167			
6	H1	70			
7	H2	97			Discharge
8	L	180			1" 1/2
9	L1	93			145 psi
10	L2	87			
11					

MAIN_PROJECT_TITLE	BUSINESS_PROCESS_ID	OWNER	ISSUE_DATE 2023-02-22
--------------------	---------------------	-------	--------------------------