

TRAMONTINA

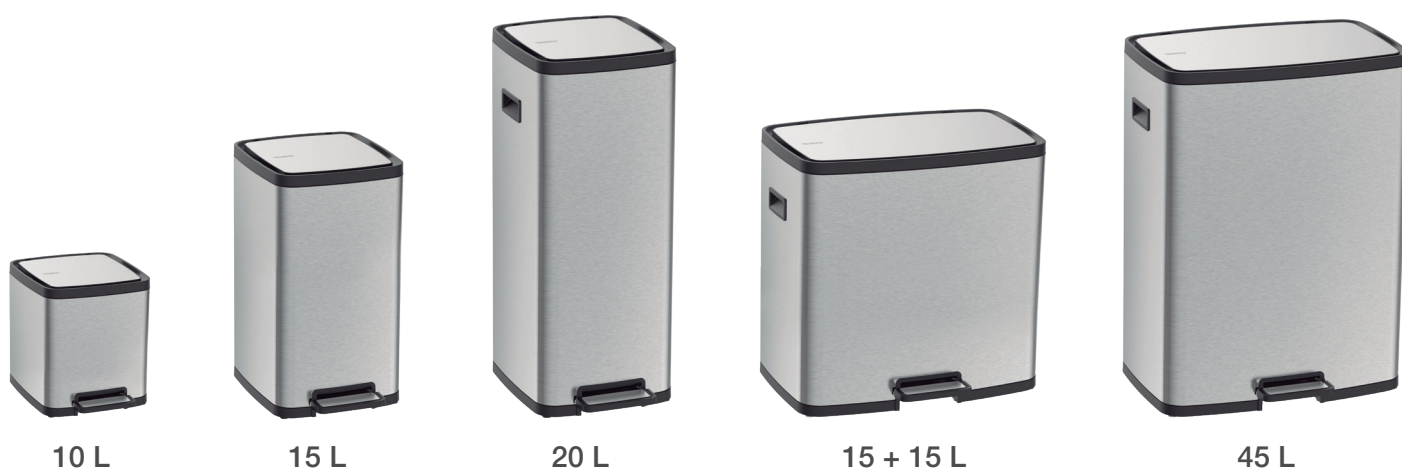
OCTOS



PEDAL TRASH BIN OCTOS

TRAMONTINA

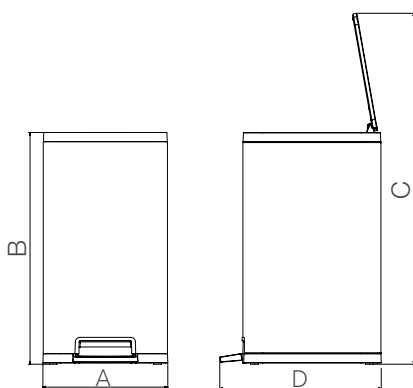
- Ref.: 94544/410 - 10 L
- Ref.: 94544/415 - 15 L
- Ref.: 94544/420 - 20 L
- Ref.: 94544/430 - 15 + 15 L
- Ref.: 94544/445 - 45 L



**AISI 430 STAINLESS STEEL
BODY, PEDAL AND LID COVER**

THICKNESS
— 0,4 mm

**SCOTCH BRITE FINISHING WITH
FINGERPRINT PROOF**
PRODUCT FOR INDOOR USE



Ref.:	94544/410	94544/415	94544/420	94544/430	94544/445	
Dimensions	A	271	271	271	486	486
	B	348	504	655	504	655
	C	607	763	914	782	934
	D	351	351	351	371	371
Recommended garbage bag	10 - 15 L	15 - 20 L	20 - 30 L	15 - 20 L	40 - 50 L	



PEDAL TRASH BIN OCTOS

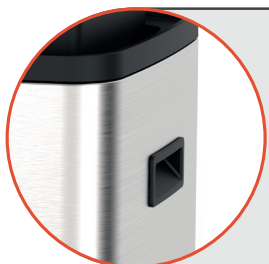
TRAMONTINA



Stay-open system, lock that keeps the lid open.



Soft close.



Easy system to transport the trash bin.
For the models below.
94544/420 - 20 L,
94544/430 - 15 + 15 L,
94544/445 - 45 L.

Removable bucket with hole that makes it possible to hold the garbage bag.



Size recommendation for the ideal trash bag.



Non-slip feet.



The lid does not touch the wall.



TWO BUCKETS TO FACILITATE WASTE SEPARATION

REF.: 94544/430 - 15 + 15 L

*Only share this material with individuals if you have evidence of consent.

Product for indoor use | BIM files available at: tramontina.com.br/en/library

Tramontina reserves the right to modify the product information sheet without prior notice. All images are merely illustrative.

For more information: tramontina.com.br/en