

DocolBase 3/4" pressure valve with Itapema Bella finish

Code 00163060 - Chrome

DESCRIPTION

Pressure records are used to make water pressure control faster and more agile. With a perfect grip for your fingers, this valve effectively delivers control over water with the quality and durability of our products. It can be installed in faucets, showers and mixers, being used daily when turning these products on or off



TECHNOLOGY AND CHARACTERISTICS



Bi-nickel
Chrome



High
durability

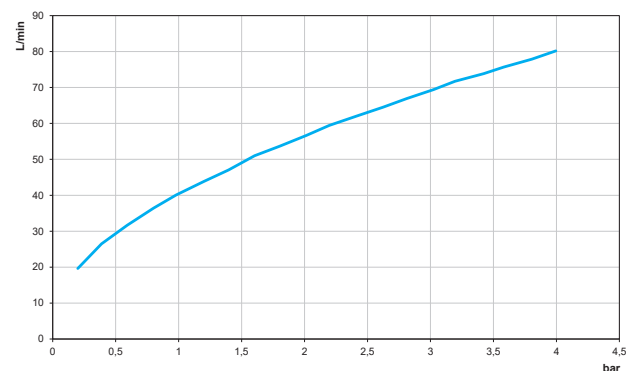
ADVANTAGES

Bi-nickel chrome plated, providing long-lasting durability and higher resistance to corrosion, maintaining the product beautiful and glossy much longer.

WARRANTY

Call Docol Authorized Distributor in your country.

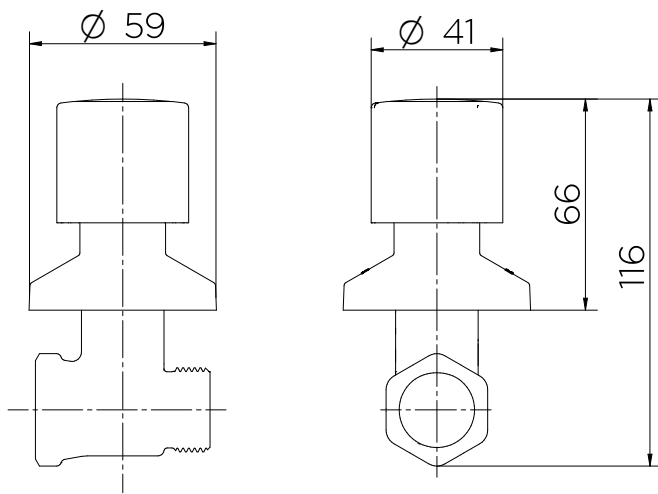
FLOW CURVE



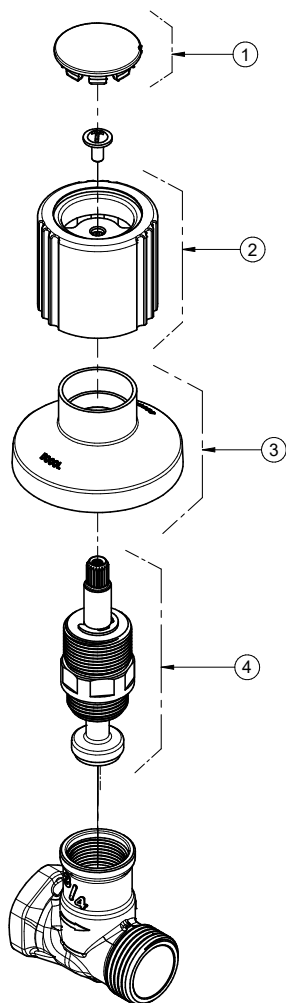
TECHNICAL SPECIFICATIONS

OPENING SYSTEM	Rotating
GAUGE	3/4" - DN 20
PRESSURE CLASS	3 to 198 psi
MAXIMUM WATER TEMPERATURE	120°C
STANDARD	NBR 15704-1
PACKAGE CONTENT	1 valve, 1 sealing flange, 1 streak protector and 1 installation gauge
COMPOSITION	Steel, Elastomer, Copper alloy, Engineering plastic
ACTIVATION	Block Handle
INSTALLATION TYPE	Wall

DIMENSIONS



SPARE PARTS



POS.	CODIGO	DENONINAÇÃO
1	00198106	KIT PORTA LETRA BELLA CR
2	00245906	KIT VOL ITAP BELLACR
3	00000706	KIT CAN (0)59X31
4	25990600	KIT BUJAO C RP DB

WANT YOU KNOW MORE?

REFER TO THE INSTALLATION MANUAL
IN OUR WEBSITE.