

Rebris E

Single lever bath mixer for concealed installation for iBox universal

Finish: **Matt Black** Article Number: **72468670**



Description

product features

- 2 functions
- flow rate upper outlet: 21 l/min
- flow rate lower outlet: 29 l/min
- maximum flow rate at 3 bar: 27,6 l/min
- flow rate for bath spout at 3 bar: 27,6 l/min
- flow rate of hand shower at 3 bar: 21,2 l/min
- ceramic cartridge
- temperature limitation adjustable
- diverter with automatic resetting
- non-return valve
- connection type: basic set
- wall-mounted
- min. operating pressure: 1 bar
- max. operating pressure: 10 bar
- no additional maintenance opening required
- PA-IX 38260/IIDB
- DVGW-NW-6512DN0343
- ACS 22 ACC LY 782 France, valide jusqu'au 02.12.2027
- WRAS 2306302
- Kiwa K6161_Mechanical Mixers EN817
- FTA 14063-01_Vivenis-Finoris

Design awards



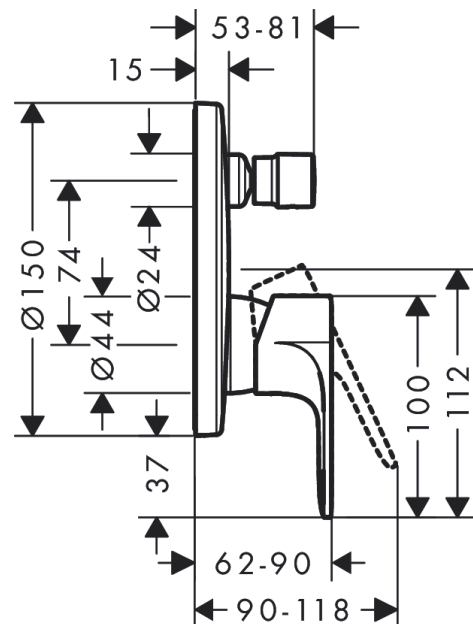
reddot winner 2022



Product image



Scale drawing



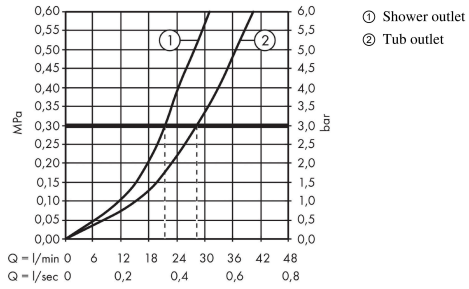
Rebris E

Single lever bath mixer for concealed installation for iBox universal

Finish: **Matt Black** Article Number: **72468670**



Flowchart



Rebris E

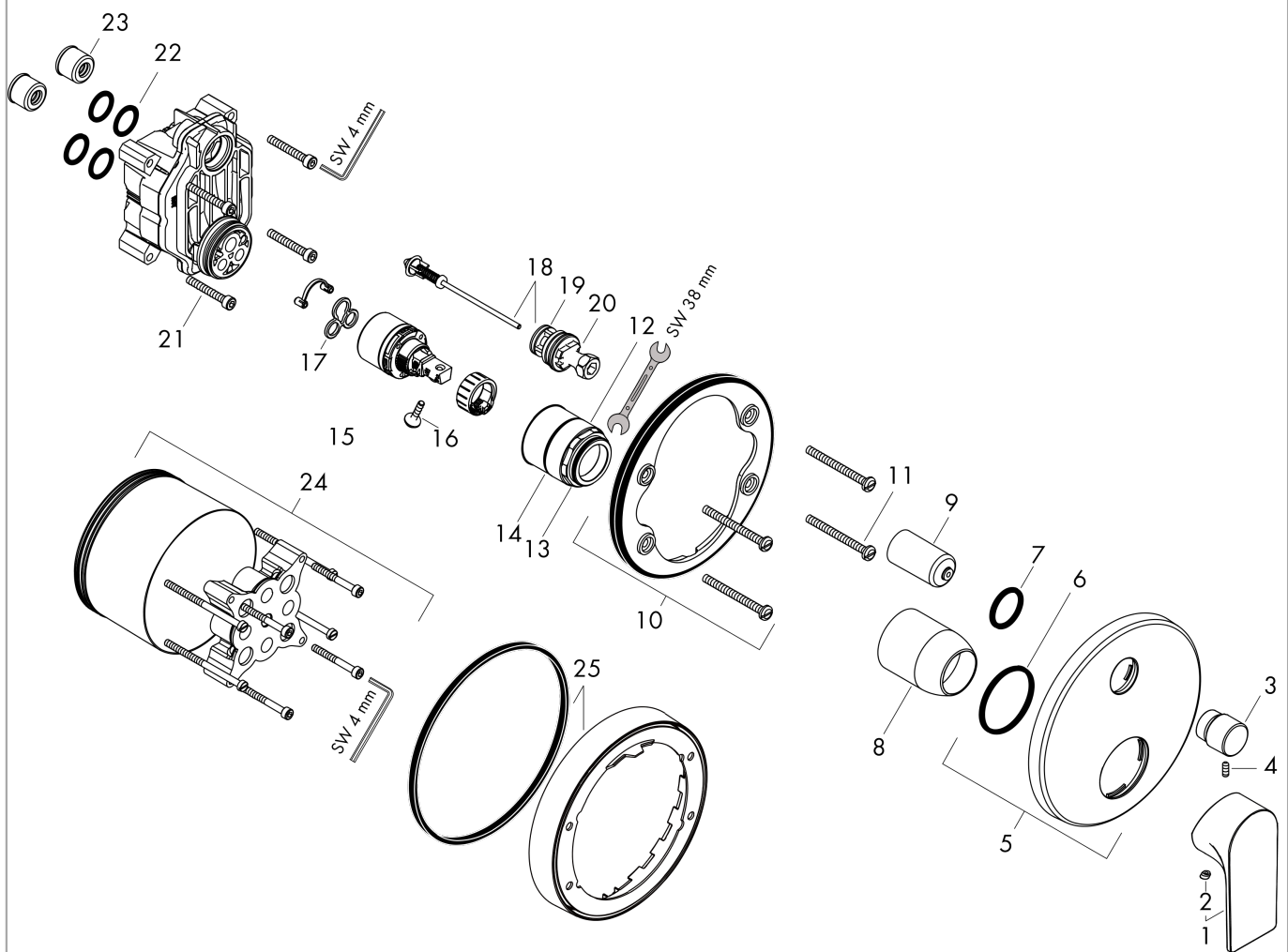
Single lever bath mixer for concealed installation for iBox universal

Finish: **Matt Black** Article Number: **72468670**



Exploded Drawing

Year of production: >06/22



Rebris E

Single lever bath mixer for concealed installation for iBox universal

Finish: **Matt Black** Article Number: **72468670**



Spare part list

Year of production: >06/22

| Pos. | Description | Article Number | PC | PU |
|------|---|----------------|----|----|
| 1 | handle | 94655670 | 60 | 1 |
| 2 | screw cover | 96338000 | 1 | 1 |
| 3 | diverter knob | 98795670 | 60 | 1 |
| 4 | hollow set screw M4x10 | 97667000 | 1 | 1 |
| 5 | escutcheon Ø 150 mm | 98791670 | 61 | 1 |
| 6 | O-ring 43x3 | 98418000 | 1 | 1 |
| 7 | O-ring 23x3 | 98142000 | 1 | 1 |
| 8 | sleeve | 98790670 | 58 | 1 |
| 9 | sleeve | 98794670 | 58 | 1 |
| 10 | holder for escutcheon | 98793000 | 9 | 1 |
| 11 | set of fixing screws | 96454000 | 3 | 1 |
| 12 | nut | 98796000 | 9 | 1 |
| 13 | O-ring 30x1,5 | 98433000 | 1 | 1 |
| 14 | O-ring 39x1,5 | 98400000 | 1 | 1 |
| 15 | cartridge, assy | 92730000 | 11 | 1 |
| 16 | locking screw for handle | 95140000 | 2 | 1 |
| 17 | seal | 95008000 | 3 | 1 |
| 18 | selector assy | 95014000 | 11 | 1 |
| 19 | O-ring 16x2,3 | 98207000 | 1 | 1 |
| 20 | O-ring 20x2,5 | 92602000 | 2 | 1 |
| 21 | set of screws | 93243000 | 3 | 1 |
| 22 | O-ring 16x2 | 98133000 | 1 | 1 |
| 23 | noise reduction | 94073000 | 7 | 1 |
| 24 | extension 25 mm | 13595000 | 98 | 1 |
| 25 | extension 22 mm (Ø 150 mm) | 13597670 | 98 | 1 |
| a | concealed item | 01800180 | 98 | 1 |
| b | extension 10 mm for iBox universal with shut-off unit | 92332000 | 15 | 1 |
| c | set of screws | 93244000 | 3 | 1 |