

Crometta

Shower holder set 100 Vario EcoSmart with shower hose 160 cm

Finish: **White/Chrome** Article Number: **26694400**



Description

product features

- consists of: hand shower, shower holder, shower hose
- shower head size: 100 mm
- integrated support function
- spray type: Rain, IntenseRain
- spray type adjustment by turning spray disc
- maximum flow rate at 3 bar: 9 l/min
- minimum flow pressure: 1 bar
- operating pressure: min. 1 bar/max. 6 bar
- pivot connector prevents hose from tangling
- shower holder made of plastic
- wall mounting: screw fastening
- rinseable screen seal

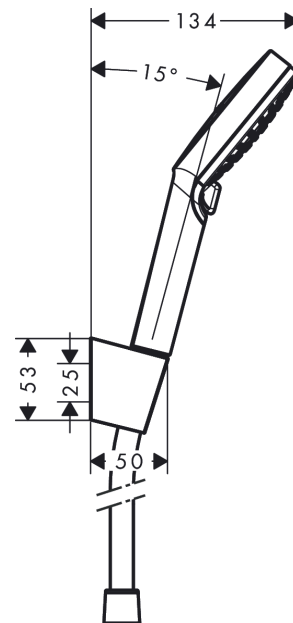
Technology



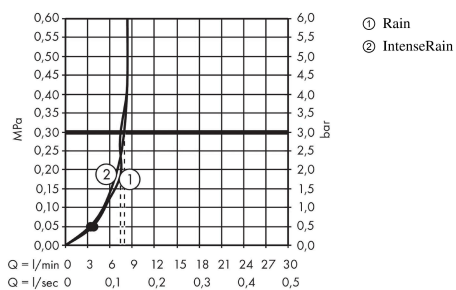
Product image



Scale drawing



Flowchart



The consumption was measured in combination with the appropriate fittings (thermostat/mixer/in-wall valve) to reflect actual application in practice.

Crometta

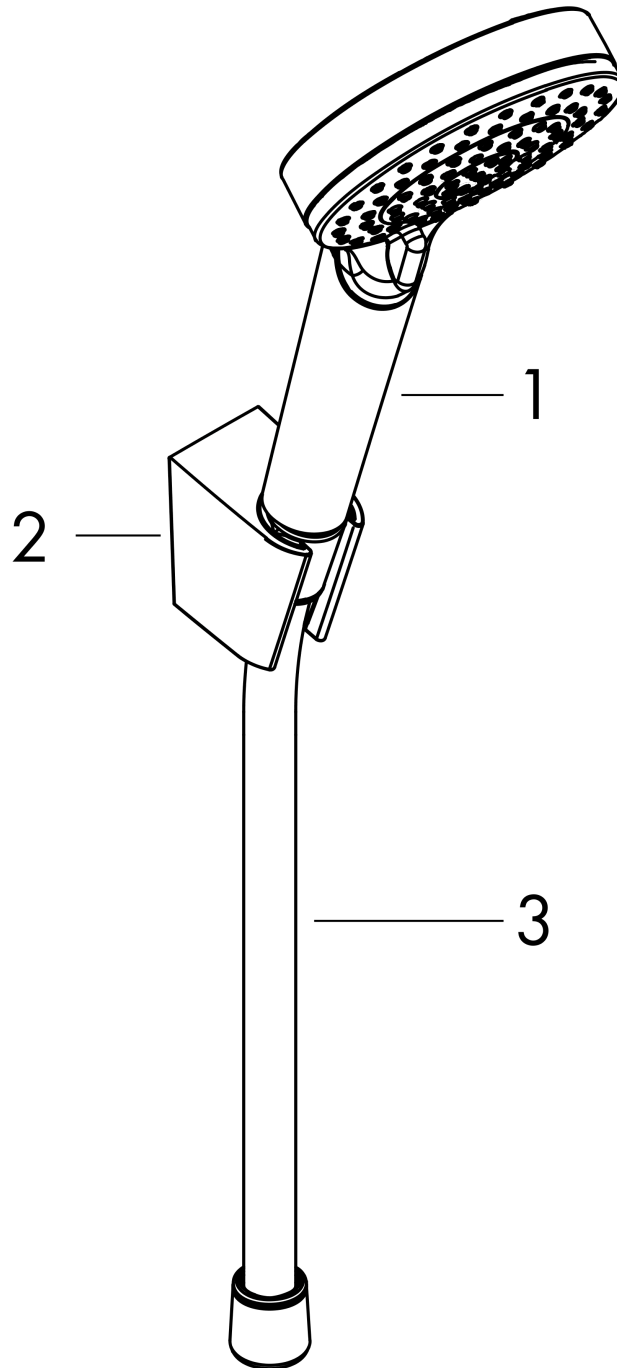
Shower holder set 100 Vario EcoSmart with shower hose 160 cm

Finish: **White/Chrome** Article Number: **26694400**



Exploded Drawing

Year of production: >11/21



Crometta

Shower holder set 100 Vario EcoSmart with shower hose 160 cm

Finish: **White/Chrome** Article Number: **26694400**



Spare part list

Year of production: >11/21

Pos.	Description	Article Number	PC	PU
1	handshower	26332400	99	1
2	shower holder	28331000	99	1
3	shower hose Isiflex'B 1,60 m	28276000	99	1