

**Receiver**
**From**

 Company  
 Reference  
 Address  
 Phone  
 Fax  
 E-mail

**Item n° :** 1D5111G8V  
**Customer pos. no.:**  
 Model : CP-G 80-2050/A/BAQE/4 IE3

**Pump data**

MEI ≥ 0,60

Pressure rating : PN 16  
 Min. fluid temperature : -10 °C  
 Max. fluid temperature : 140 °C  
 Max. Ambient temperature : 40 °C

**Requested data**

Flow :  
 Head :  
 Fluid (%) :  
 Fluid Temperature : 20 °C  
 Density : 998,3 kg/m<sup>3</sup>  
 Kinematic viscosity : 1,005 mm<sup>2</sup>/s  
 Vapor pressure : 0,34 psi

**Hydraulic data (duty point)**

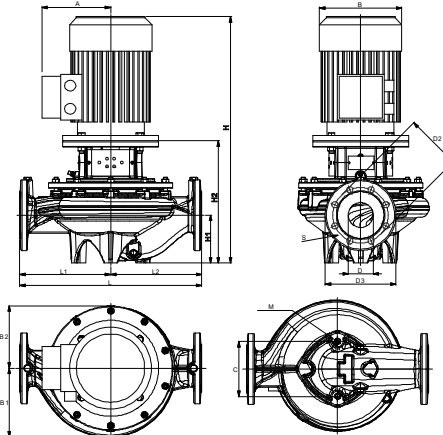
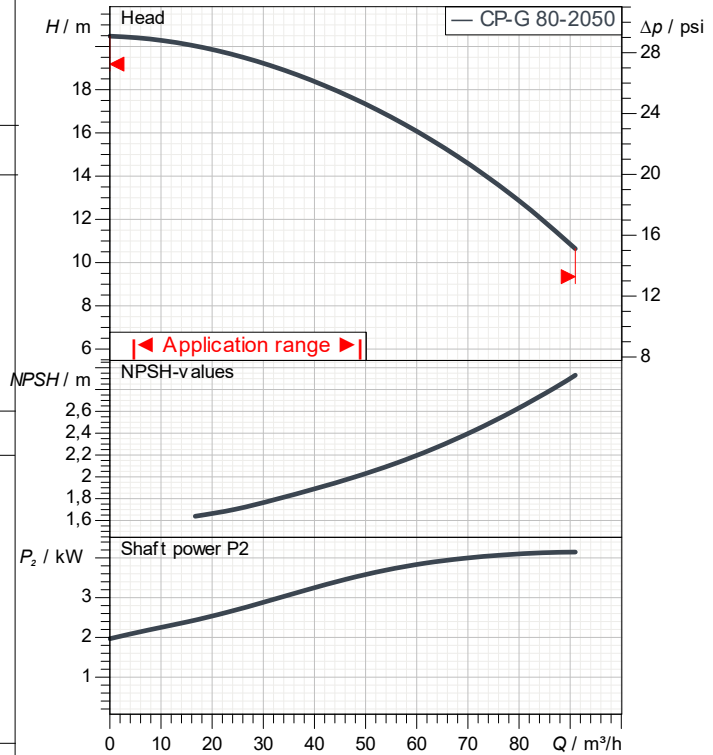
Flow :  
 Head :  
 NPSH :  
 Shaft power P2 :  
 Efficiency :

**Materials**

Pump body : Cast iron 250 UNI ISO 185  
 Support : Cast iron 250 UNI ISO 185  
 Impeller : Cast iron 250 UNI ISO 185  
 Mechanical seal : SEE "SHAFT SEAL" SECTION  
 O-Ring : EPDM Rubber  
 Shaft with rotor : AISI 304 X5 Cr Ni 1810 UNI 6900/71

**Motor data**

Nominal power P2 : 4 kW  
 Rated speed : 2.920 1/min  
 Rated voltage : 3~ 400 V 50 Hz  
 Nominal current : 8 A  
 Degree of protection : IP 55

**Curve tolerance according to ISO 9906**

**Weight :** 95 kg

**Dimensions in mm**

A	169	H1	105
B1	135	H2	309
B2	125	L	360
C	144	L1	180
D	80	L2	180
D2	160	M	M16
D3	200	S	8 x Ø18
H	637		

**Pump connection**

Suction side : DN 80 / PN 16  
 Discharge side : DN 80 / PN 16



# PERFORMANCE CURVES

2024-09-11

Page 2 / 3

DAB PUMPS S.p.A.  
Via Marco Polo, 14 - 35035 Mestrino (PD), Italy  
Tel. +39 049 5125000 - Fax +39 049 5125950  
www.dabpumps.com

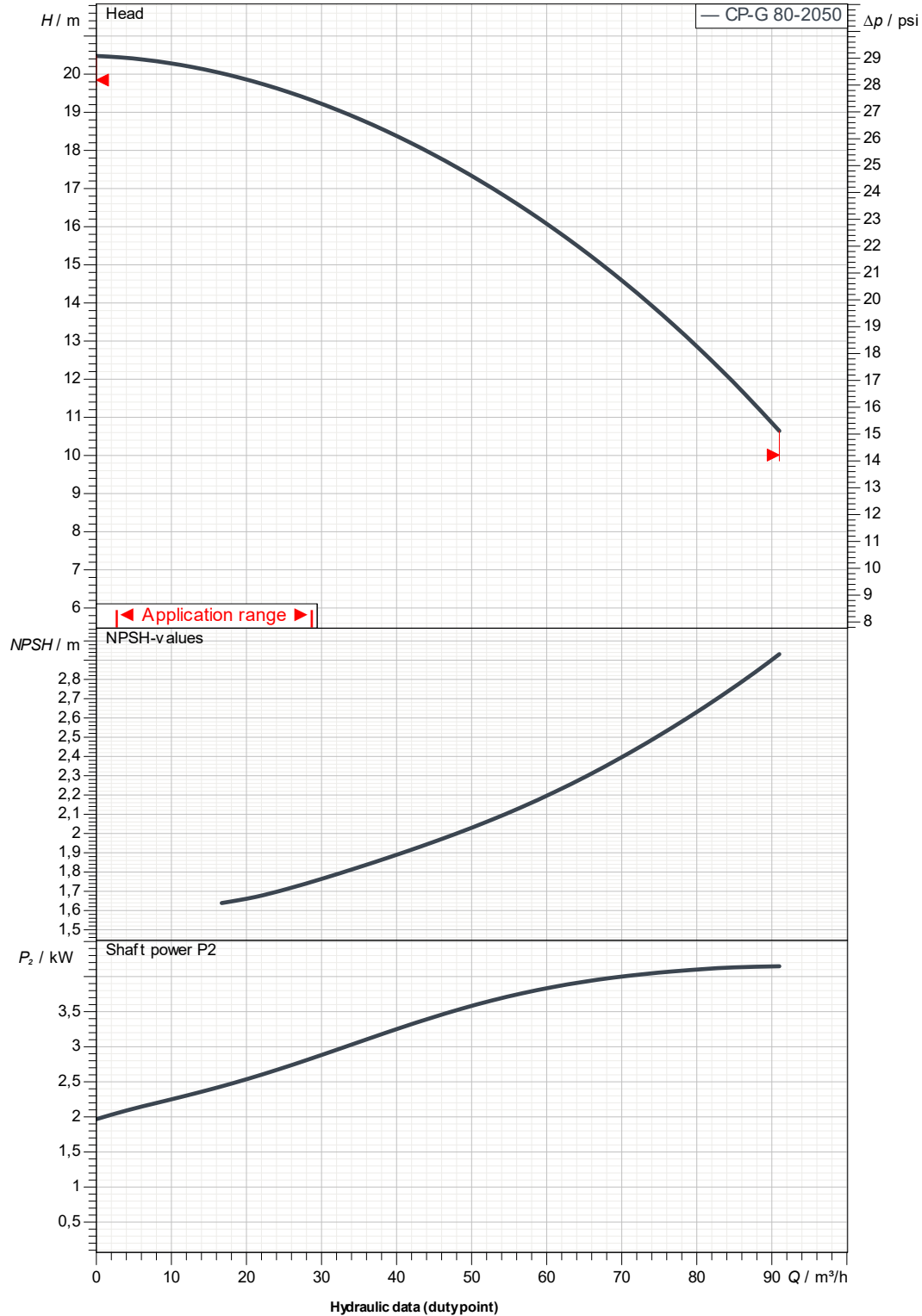
Receiver

From

Company  
Reference  
Address  
Phone  
Fax  
E-mail

## CP-G 80-2050/A/BAQE/4 IE3

Curve tolerance according to ISO 9906



Suction side :  
DN 80  
PN 16

Discharge side :  
DN 80  
PN 16

Flow :

Head :

Rated speed :  
2.920 1/min

MAIN\_PROJECT\_TITLE

BUSINESS\_PROCESS\_ID

OWNER\_

ISSUE\_DATE

2024-09-11



# DIMENSIONAL DRAWING

2024-09-11

Page 3 / 3

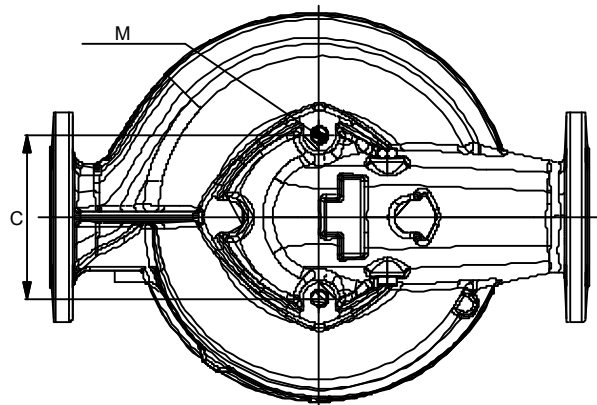
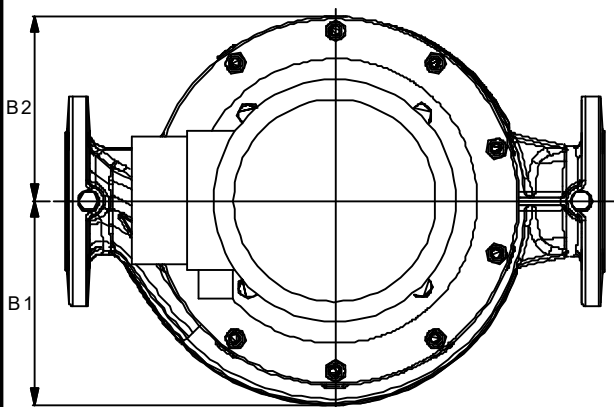
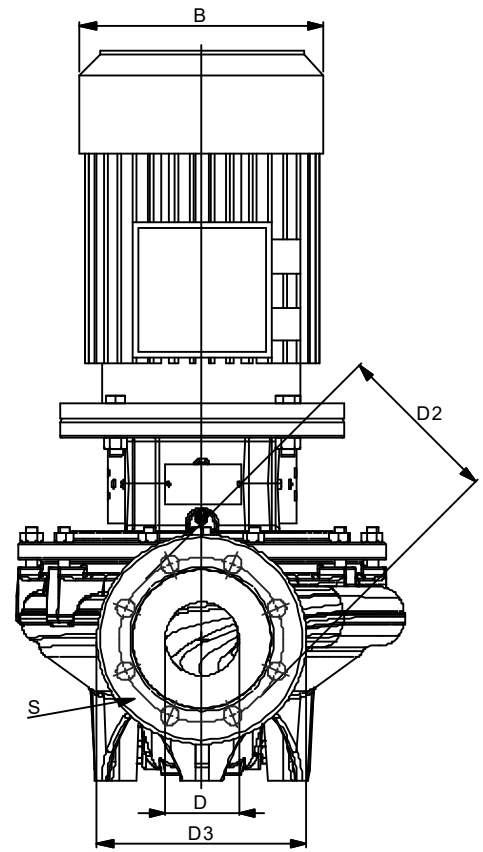
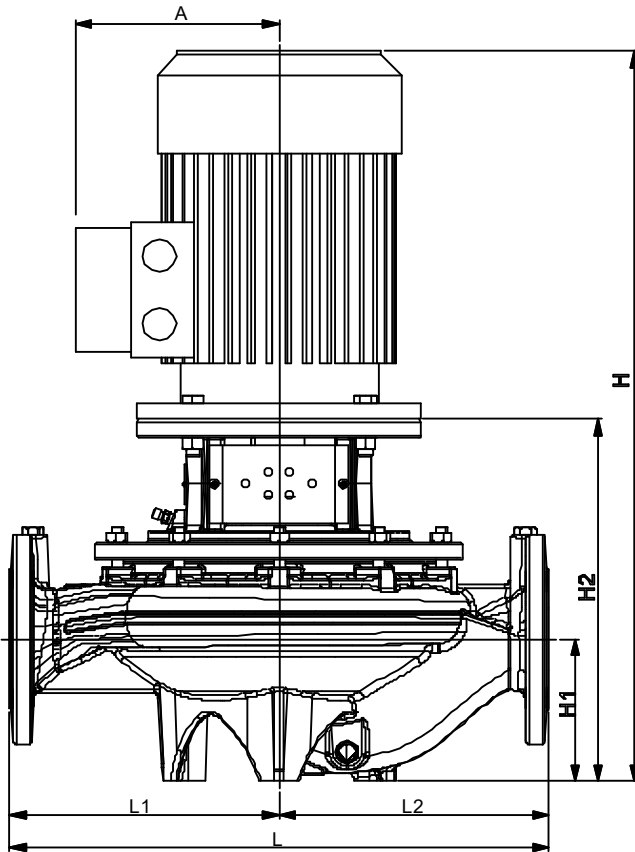
DAB PUMPS S.p.A.  
Via Marco Polo, 14 - 35035 Mestrino (PD), Italy  
Tel. +39 049 5125000 - Fax +39 049 5125950  
www.dabpumps.com

Receiver

From

Company  
Reference  
Address  
Phone  
Fax  
E-mail

## CP-G 80-2050/A/BAQE/4 IE3



Dimensions in mm

1	A	169	L1	180
2	B1	135	L2	180
3	B2	125	M	M16
4	C	144	S	8 x Ø18
5	D	80		
6	D2	160		
7	D3	200		
8	H	637		
9	H1	105		
10	H2	309		
11	L	360		

Pump connection

Suction  
DN 80  
PN 16  
  
Discharge  
DN 80  
PN 16

MAIN\_PROJECT\_TITLE

BUSINESS\_PROCESS\_ID

OWNER\_

ISSUE\_DATE

2024-09-11