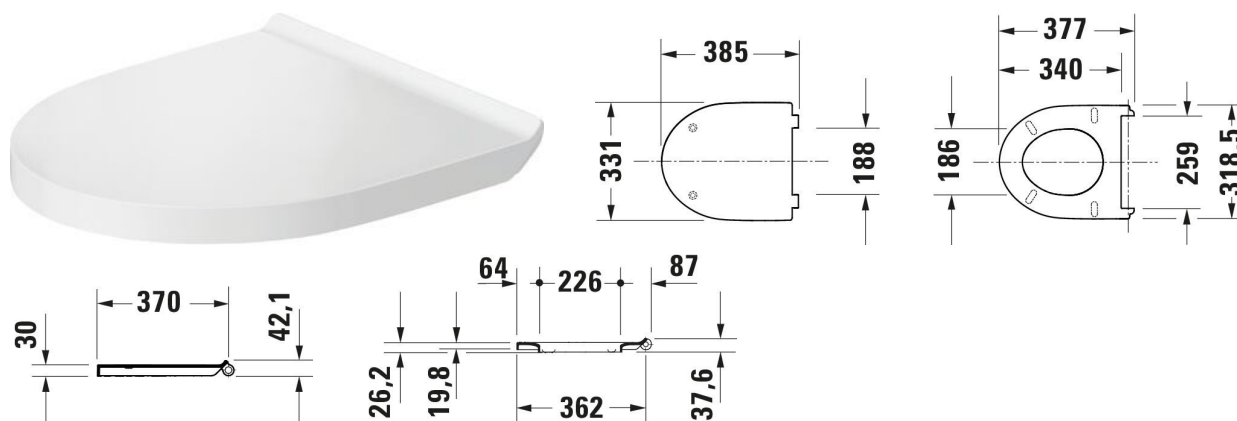


Duravit No.1 Toilet seat # 0021390000

|< 331 mm >|



Toilet seat	Dimension	Weight	Order number
Shape: Rectangular, Automatic close: Yes, Hinge material: Stainless steel			
<b>Colors</b>			
00 White Alpin			
<b>Variant</b>			
White High Gloss, Hinge colour: Stainless steel, Wrap over	331x42 mm	2.100 kg	0021390000
<b>Suitable products</b>			
Wall-mounted toilet Flush water quantity: 4,5/3 l, Washdown model, Flushing rim: Rimless, Flush principle: washdown model, Outlet drain horizontal, Unified Water Label (UWL) Class: 1, 325 x 480 mm	325 x 480 mm		257409

All drawings contain the necessary measurements which are subject to standard tolerances. They are stated in mm and are non-binding. Exact measurements, in particular for customised installation scenarios, can only be taken from the finished piece.